



TRI-FLEX MERGER

PARTS BOOK



Revision #03

TFM2130 Starting Serial #512100

TFM2135 Starting Serial #412065

HSMFG1114

Part #60064

Manufactured By
H&S MANUFACTURING CO., INC.

P.O. BOX 768 (715) 387-3414 FAX (715) 384-5463

MARSHFIELD, WISCONSIN 54449

CONTENTS

Instructions for Ordering Parts.	1
Figure 1 - Hitch Assembly.	2-3
Figure 2 - Hinge & Suction Manifold.	4-5
Figure 3 - Reservoir Components.	6-7
Figure 4 - Float Arm Assembly.	8-11
Figure 5 - Axle Base Assembly.	12-13
Figure 6 - Axle Assembly.	14-15
Figure 7 - Rear Chassis Components.	16-19
Figure 8 - Head & Chassis Components.	20-23
Figure 9 - Locking Stand	24-25
Figure 10 - Center Head Lift.	26-27
Figure 11 - Head Frame Components.	28-29
Figure 12 - Pickup Head.	30-31
Figure 13 - Shields & Related Components.	32-33
Figure 14 - Drive Roller & End Cap.	34-35
Figure 15 - Cam & Drive Assembly.	36-37
Figure 16 - Tine Bar.	38-39
Figure 17 - Gearbox Assembly.	40-41
Figure 18 - Conveyor Belt Assembly.	42-43
Figure 19 - Reservoir Hydraulics.	44-45
Figure 20 - Right Side Chassis Components.	46-47
Figure 21 - Left Side Chassis Components.	48-51
Figure 22 - Main Valve.	52-53
Figure 23 - Pickup Hydraulics.	54-57
Figure 24 - Accumulators & Grease System.	58-59
Figure 25 - Skid Shoe Linkage.	60-61
Figure 26 - Speed In creaser Gearbox.	62-63
Figure 27 - Pto Assembly.	64
Figure 28 - Pto Assembly - Long.	65
Figure 29 - Control Box.	66
Figure 30 - Front Wiring Harness P/N: PTM1.	67-68
Figure 31 - Rear Wiring Harness P/N: PTM2.	69
Figure 32 - Center Head Harness.	70
Figure 33 - Wing Fold Harness.	71
Figure 34 - Valve Wiring Harness P/N: PTM3.	72
Figure 35 - Relay Wiring Harness P/N: PTM1.	73
Figure 36 - Power Supply Wiring Harness P/N: TFM2.	74
Figure 37 - Hydraulic Schematic.	75
Figure 38 - Head Height Dial Option.	76
Parts Notes.	77-78

INSTRUCTIONS FOR ORDERING PARTS

All service parts should be ordered through your authorized H&S dealer. They will be able to give you faster service if you will provide them with the following

1. Model & Serial number is located on the front, right main frame near pole pivot of your unit.
2. All reference to left or right apply to the machine as viewed from the rear.
3. Parts should not be ordered from illustration only. Please order by complete part number.
4. If your dealer has to order parts - give shipping instructions:

VIA truck - large pieces (please specify local truck lines)

VIA United Parcel Service (include full address)

H&S MFG. CO. INC.
MARSHFIELD, WIS.

MOD. NO.

SER. NO.

DESCR.

PLEASE RECORD NUMBERS FOR YOUR UNIT FOR QUICK REFERENCE

ABOUT IMPROVEMENTS

H&S IS CONTINUALLY STRIVING TO IMPROVE IT'S PRODUCTS

We must therefore, reserve the right to make improvements or changes whenever it becomes practical to do so without incurring any obligation to make changes or additions to the equipment previously sold.

FIGURE 1

HITCH ASSEMBLY

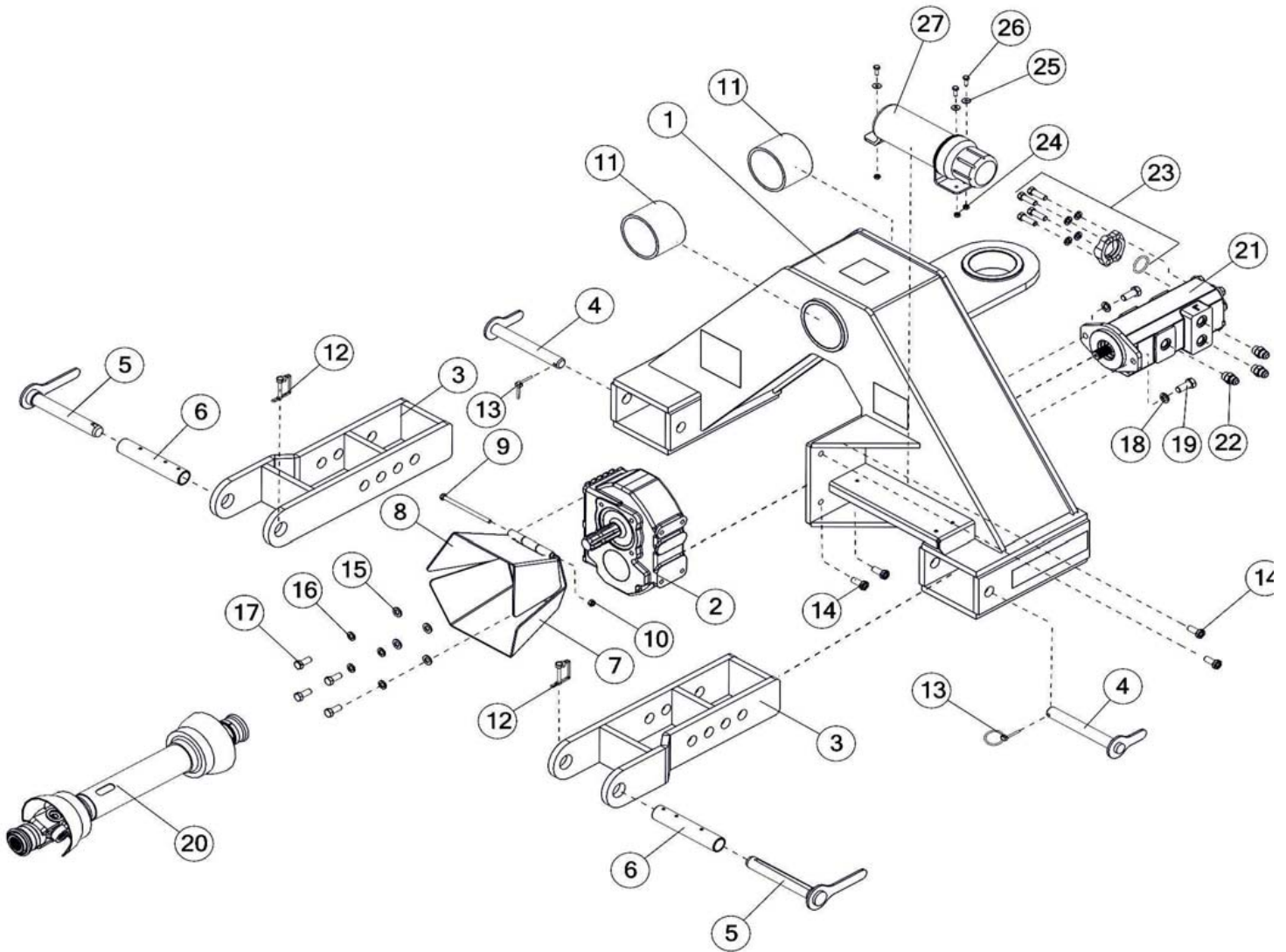


FIGURE 1

HITCH ASSEMBLY

<u>QTY</u>				
<u>ITEM</u>	<u>30'</u>	<u>35'</u>	<u>PART #</u>	<u>DESCRIPTION</u>
1	1	"	SHM4WE01	SHM4 POLE HITCH
2	1	"	TFM15	SPEED INCREASER GEARBOX
3	2	"	SHM4WE05	HITCH OFFSET
4	2	"	PTMWE16	HITCH PIN
5	2	"	PTMWE65	HITCH PIN
6	2	"	PTMTU56	ADAPTER TUBE
7	1	"	PTMWE96	PTM BOTTOM PTO SHIELD
8	1	"	PTMWE97	PTM TOP PTO SHIELD WELDMENT
9	1	"	YBHH10133	5/16-18 X 5-1/2 HEX CAP SCREW ZINC
10	1	"	YNNY10005	HEX NUT, NYLON LOCKNUT, 5/16"-18
11	2	"	PTMMS15	BUSHING
12	2	"	DWM324	D STYLE LOCKING PIN
13	2	"	YPLY06010	LYNCH PIN, 3/16" X 1-9/16"
14	4	"	TFM106	TYPE AA HEX LOCK BOLT, M12-1.75 X 30 GR. 8.8
15	4	"	YWFL78020	FLAT WASHER, M12
16	4	"	YWLO78015	LOCK WASHER, M12
17	4	"	YBHH8012	M12-1.75 X 20MM
18	2	"	YWLO80020	LOCK WASHER, M14
19	2	"	YBHH80015	HEX BOLT, M14-2 X 30MM 8.8 GR ZINC
20	1	"	TFM98	1-3/8"- 21 SPLINE PTO
*	1	"	TFM100	1-3/4"-20 SPLINE PTO **
**	1	"	56337	PTO, 1-3/4-20 Fendt Tractor Tri-Flex
**	1	"	56338	PTO, 1-3/8-21 Fendt Tractor Tri-Flex
21	1	"	TFM14	PREMCO TRIPPLE PUMP
*	A/R	"	8247	SEAL KIT, PERMCO PUMP COMPLETE
22	3	"	TFM38	STRAIGHT THREAD CONNECTOR
23	1	"	TFM37	FLANGE KIT
24	3	"	YNRL08005	HEX NUT, REVERSIBLE-SIDE LOCK, 1/4-20
25	3	"	YWFL08005	WASHER, FLAT, 1/4 USS
26	3	"	YBHH08095	BOLT, 1/4" X 3/4" GR. 2
27	1	"	S522	MANUAL HOLDER

NOTE: " MEANS SAME AS PREVIOUS MODEL

*** MEANS NOT SHOWN**

**** MEANS OPTIONAL**

FIGURE 2

HINGE & SUCTION MANIFOLD

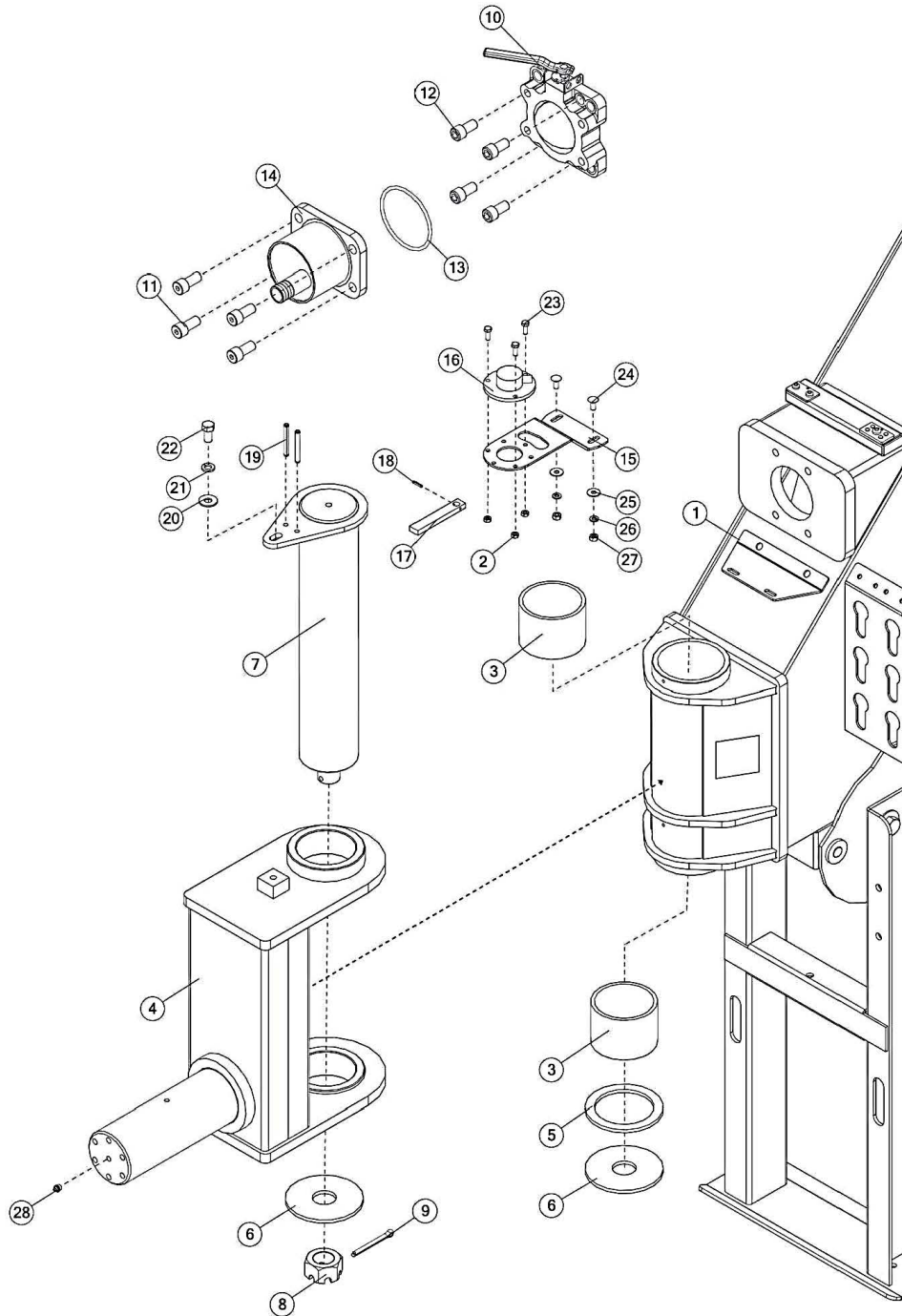


FIGURE 2

HINGE & SUCTION MANIFOLD

<u>QTY</u>				
<u>ITEM</u>	<u>30'</u>	<u>35'</u>	<u>PART #</u>	<u>DESCRIPTION</u>
1	1	"	PTMWE36	RESERVOIR
2	3	"	YNRL08005	HEX NUT, REVERSIBLE-SIDE LOCK, 1/4"-20 GR.5
3	2	"	PTMMS15	HITCH HINGE BUSHING
4	1	"	SHM2WE170	HITCH HINGE
5	1	"	SHM2MS29	HITCH THRUST WASHER
6	2	"	SHM23G114	PIVOT RETAINING WASHER
7	1	"	SHM2WE168	HITCH PIVOT PIN
8	1	"	YNSL40005	SLOTTED HEX NUT, 1-1/2" -12
9	1	"	YPCT10010	COTTER PIN 5/16" X 3"
10	1	"	TFM10	BUTTERFLY VALVE
*	1	"	58761	HAND LEVER, BUTTERFLY VALVE, TFM10
*	1	"	58763	LOCK PIN, BUTTERFLY VALVE, TFM10
11	4	"	YSHS82005	M16 X 2.0 X 35MM, GR 12.9, ZINC
12	4	"	YSHS20010	SOCKET HEAD CAP SCREW, 5/8"-11 X 1 1/4"
13	1	"	TFM11	O-RING, 4"
14	1	"	SHM2WE169	SUCTION MANIFOLD
15	1	"	PTM10G45	ROTARY POSITION SENSOR MOUNT
16	1	"	TFM12	350° ROTARY POSITION SENSOR
17	1	"	PTMHF110	ROTARY SENSOR LEG
18	1	"	YPSP05005	SPRING PIN, 5/32" X 3/4"
19	2	"	YPSP10005	SPRING PIN, 5/16" X 2 1/2"
20	1	"	YWFL16005	FLAT WASHER, 1/2" GR.5
21	1	"	YWLO16005	LOCK WASHER, 1/2"
22	1	"	YBHH16010	HEX BOLT, 1/2"-13 X 1" GR.5
23	3	"	YBHH08095	HEX BOLT, 1-1/4"-20 X 3/4" GR.5
24	2	"	YBCR08040	CARRIAGE BOLT, 5/16"-18 X 3/4" GR.5
25	2	"	YWFL10005	FLAT WASHER, 5/16" GR.5
26	2	"	YWLO10005	LOCK WASHER, 5/16"
27	2	"	YNHX10005	HEX NUT, 5/16"-18 GR.5
28	1	"	BFR28	1/8" NPT GREASE ZERK

NOTE: " MEANS SAME AS PREVIOUS MODEL

* MEANS NOT SHOWN

FIGURE 3

RESERVOIR COMPONENTS

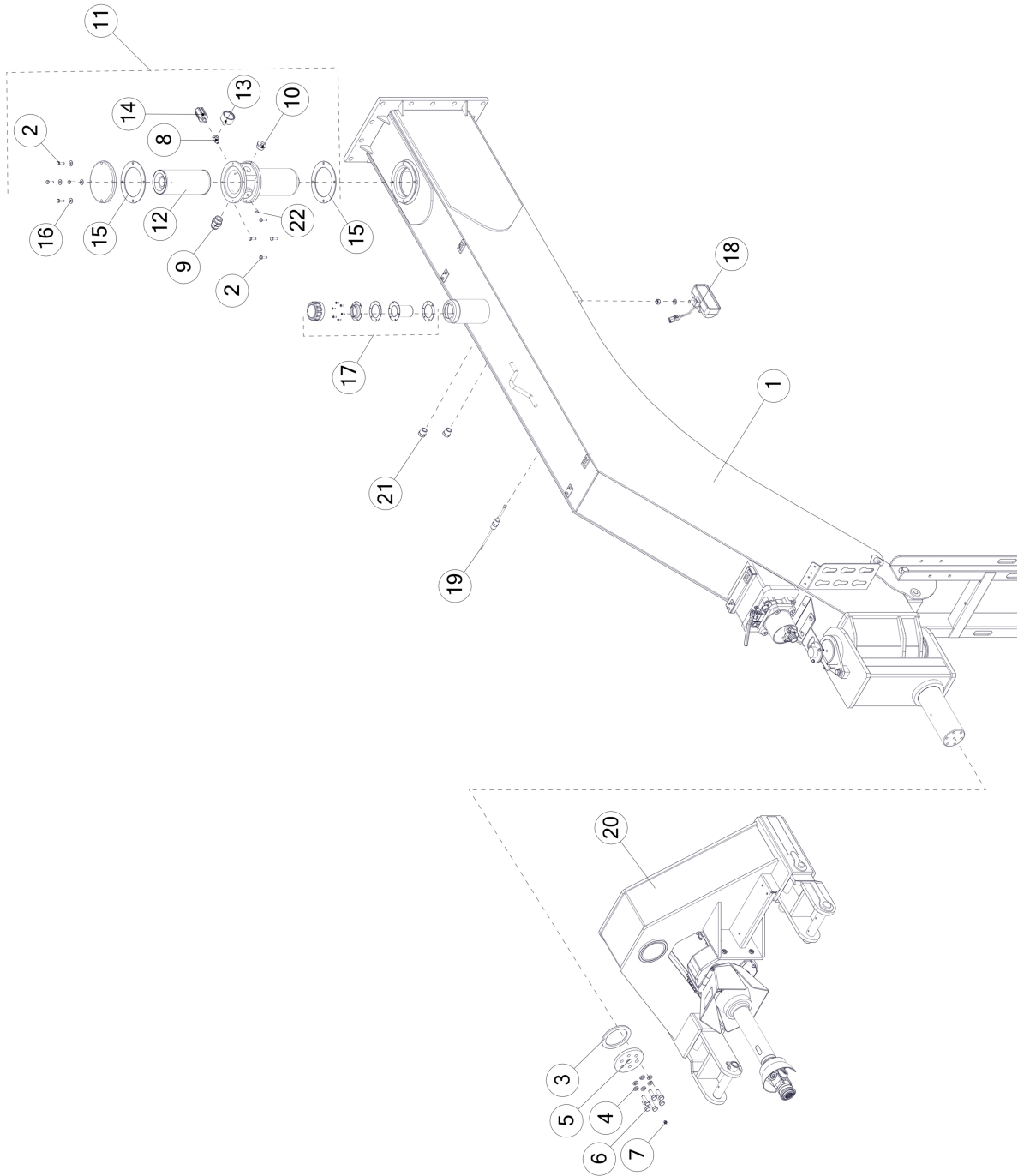


FIGURE 3

RESERVOIR COMPONENTS

<u>ITEM</u>	<u>QTY</u>		<u>PART #</u>	<u>DESCRIPTION</u>
	<u>30'</u>	<u>35'</u>		
1	1	"	PTMWE36	RESERVOIR
2	8	"	YBHH10010	HEX BOLT, 5/16"-18 X 1" GR.5
3	1	"	SHM2MS29	HITCH THRUST WASHER
4	6	"	YWLO16005	LOCK WASHER, 1/2"
5	1	"	SHM2HF104	HITCH PIVOT END CAP
6	6	"	YBHH16030	HEX BOLT, 1/2" X 1-1/2-13 GR.5
7	1	"	BFR28	1/8" NPT STRAIGHT GREASE ZERK
8	1	"	TFM22	MALE RUN TEE
19	1	"	TFM23	STRAIGHT THREAD CONNECTOR
10	1	"	TFM24	HOLLOW HEX PLUG
11	1	"	TFM20	FILTER HOUSING ASSY. COMPLETE
12	1	"	TFM21	FILTER ELEMENT
13	1	"	TFM25	FILTER GAGE
14	1	"	TFM26	PRESSURE SWITCH
15	2	"	8036	FILTER GASKET
16	4	"	YWFL10005	FLAT WASHER, 5/16" GR.5
17	1	"	DWM81	FILLER CAP ASSY
18	2	"	56122	WORK LIGHT ASSY
19	1	"	55975	LOW OIL SENSOR ASSEMBLY
20	1	"	SHM4WE01	HITCH
21	2	"	56561	3/4" NPTF SIGHT GLASS
22	1	"	57221	1/8" SQ. HEAD PIPE PLUG

NOTE: " MEANS SAME AS PREVIOUS MODEL

FIGURE 4

FLOAT ARM ASSEMBLY

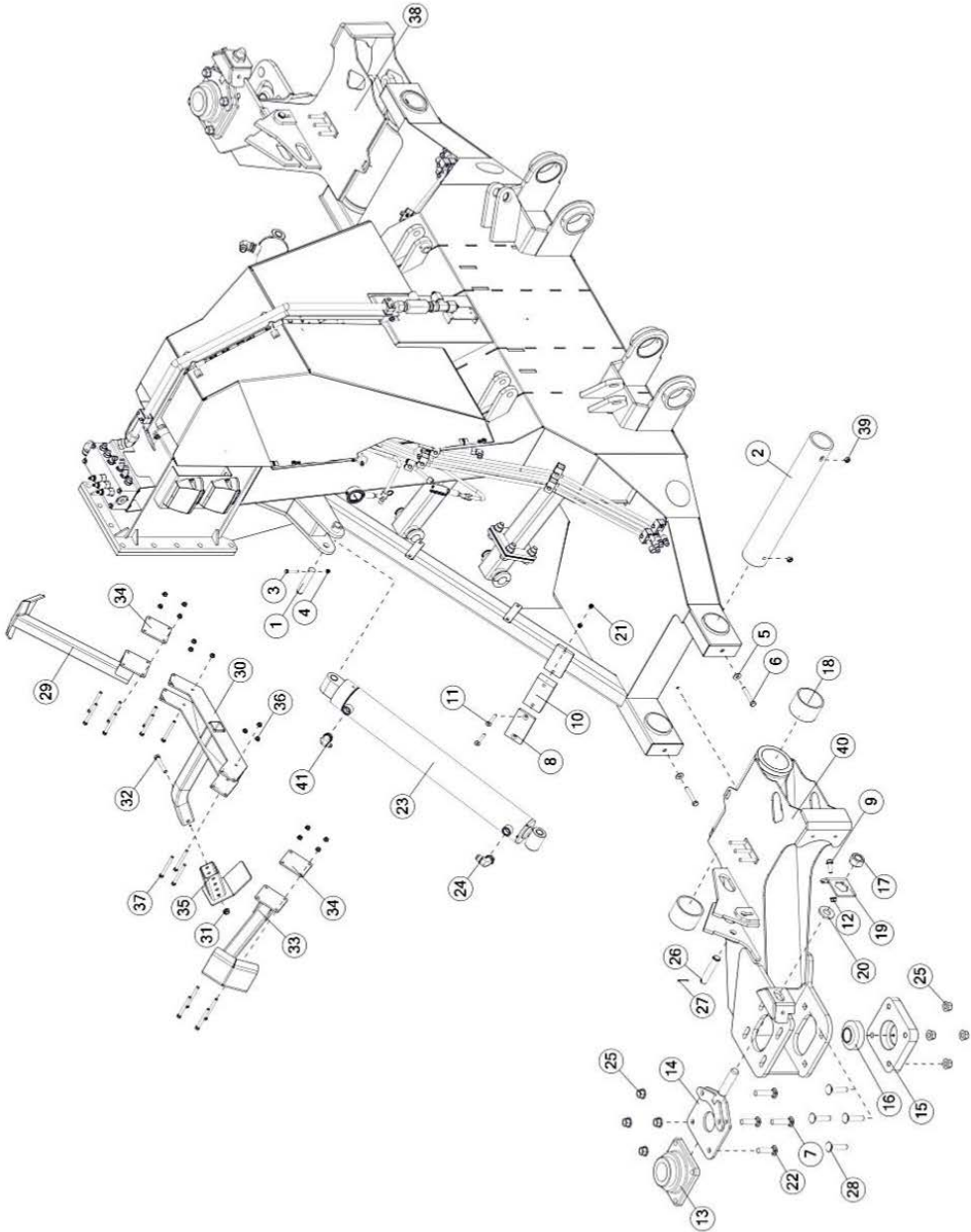


FIGURE 4

FLOAT ARM ASSEMBLY

<u>ITEM</u>	<u>QTY</u>		<u>PART #</u>	<u>DESCRIPTION</u>
	<u>30'</u>	<u>35'</u>		
1	2	"	PTMSH42	FLOAT BASE END PIN
2	2	"	PTMTU14	ARM PIVOT PIN
3	2	"	YBHH10070	BOLT, 5/16" X 2" GR 5
4	2	"	YNNY10005	HEX NUT, NYLON LOCKNUT, 5/16"-18
5	4	"	YWFL16005	WASHER, FLAT, 1/2" USS
6	4	"	YBHH16120	BOLT, 1/2" X 3-1/4" GR 5
7	4	"	YBCR24005	CARR. BOLT, 3/4"-10 X 3-1/2", GR.5, ZINC
*	2	"	PTMMS104	HOSE CYL FOLD LOCK V2
*	2	"	PTMMS103	HOSE CYL FOLD LOCK V1
*	2	"	PTMMS110	HOSE-MAIN LIFT
*	2	"	PTMMS115	HOSE MAIN LIFT 1
*	1	"	PTMMS105	HOSE CENTER HEAD LIFT 1
*	1	"	PTMMS106	HOSE CENTER HEAD LIFT 2
8	2	"	56376	FOLD BUMPER PLATE
9	2	"	YBFBB16005	1/2-13 X 1-1/2 FLANGE BOLT, GR5, ZINC
10	2	"	61076	FOLD BUMPER
11	4	"	YSFS12020	3/8-16x3, FLAT HEAD SOCKET CAP SCREWS
12	2	"	YNFG16005	TOP LOCK FLANGE NUT, 1/2"-13, GR.F, ZINC
13	2	"	1091	PITCHADJUSTMENT BEARING
14	2	"	PTMWE31	TAKE UP BRACKET
15	2	"	PTMHF99	BEARING SUPPORT
16	2	"	TFM99	PITCH ROD BALL
17	2	"	YNHX36005	HEX NUT, 1-1/4"-12, ZINC
18	2	"	PTMMS13	PHENOLIC BEARING
19	2	"	PTM3G41	NUT LOCK
20	2	"	PTM3G83	PITCH THRUST WASHER
21	4	"	YNRL12005	HEX NUT, REVERSIBLE-SIDE LOCK, 3/8"-16

NOTE: " MEANS SAME AS PREVIOUS MODEL

*** MEANS NOT SHOWN**

FIGURE 4
FLOAT ARM ASSEMBLY

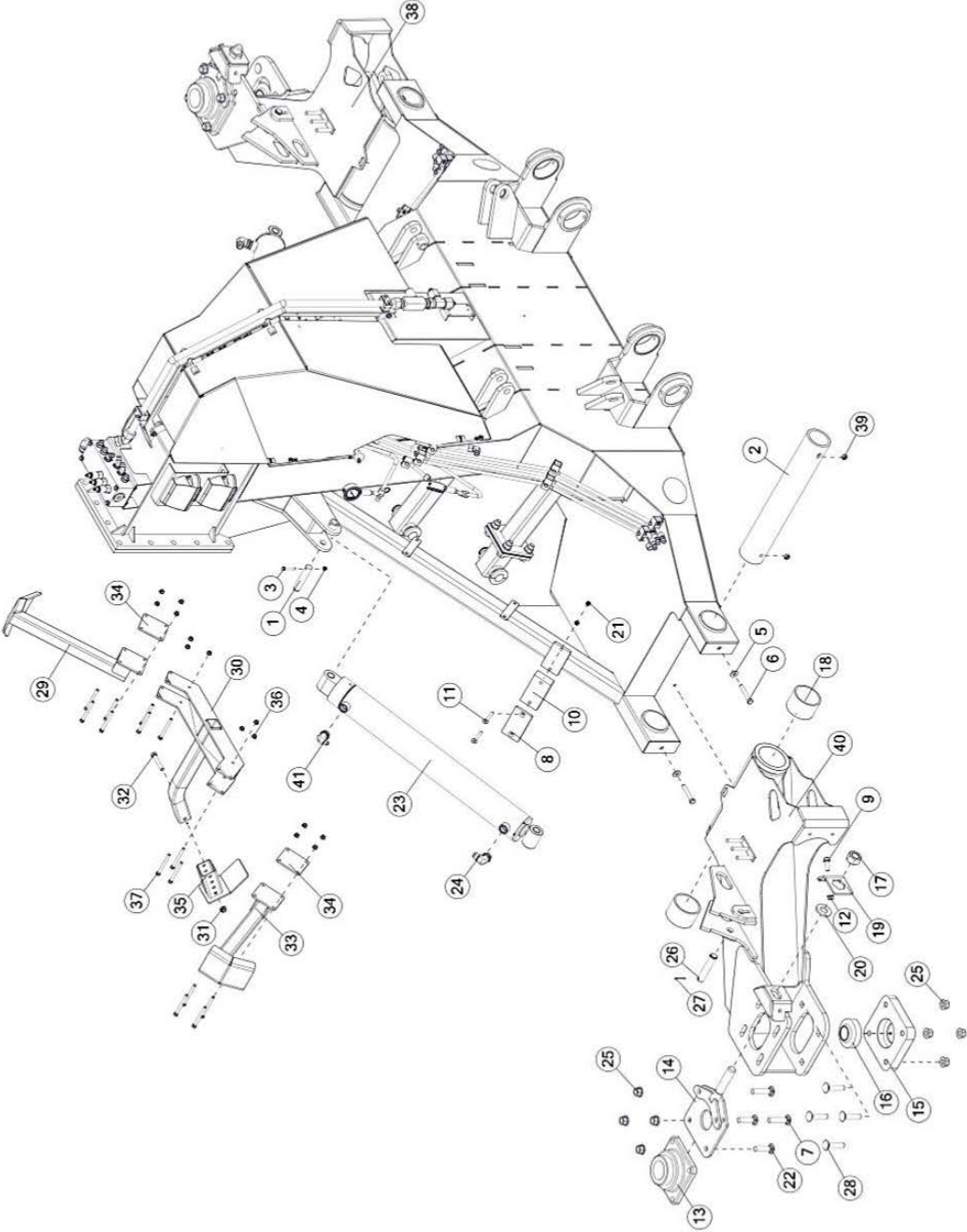


FIGURE 4

FLOAT ARM ASSEMBLY

<u>ITEM</u>	<u>QTY</u>		<u>PART#</u>	<u>DESCRIPTION</u>
	<u>30'</u>	<u>35'</u>		
22	4	"	YBCR24002	CARR. BOLT, 3/4"-10 X 3", GR. 5 ZINC
23	2	"	TFM56	MAINARM CYLINDER
*	A/R	"	8243	SENSOR, FLOAT CYLINDER
*	A/R	"	8654	BUSHING, BASE END FLOAT CYLINDER
*	A/R	"	8244	BUSHING, ROD END FLOAT CYLINDER
24	2	"	TFM88	STRAIGHT THREAD ELBOW
25	8	"	YNFG240110	TOP LOCK FLANGE NUT, 3/4"-10, GR.F, ZINC
26	12	"	PTMSH36	LIFTARM PIN
27	2	"	YPEX08015	EXPANSION PIN, 1/4" X 1-3/4"
28	8	"	YBCR24004	CARRIAGE BOLT, 3/4-10 X 3-1/4, GR.5, ZINC
29	1	"	SPMWE31	DEFLECTOR FLEX BRACKET RH
30	1	"	SPMWE32	CENTER DEFLECTOR STOP ASSY.
31	1	"	YNSF16005	HEX NUT, SERRATED FLANGED-LOCK, 1/2"-13
32	1	"	YBHH16105	HEX BOLT, 1/2"-13 X 3", GR.5, ZINC DEFLECTOR
33	1	"	SPMWE44	FLEX BRACKET LH
34	2	"	SPM3G21	DEFLECTOR STOP MOUNT
35	1	"	SPMWE41	DEFLECTOR ADJ. POST
36	14	"	YNSF12005	3/8 - 16 SERRATED HEX FLANGE NUT
37	14	"	YBHH12170	BOLT, 3/8" X 4" GR 5
38	1	"	PTMWE77	RIGHT ARM VER 2
39	4	"	YNTL16005	HEX NUT, TOP LOCK, 1/2-13
40	1	"	PTMWE75	LEFT ARM VER 2
41	2	"	TFM87	STRAIGHT THREAD ELBOW

NOTE: " MEANS SAME AS PREVIOUS MODEL

*** MEANS NOT SHOWN**

A/R: MEANS AS REQUIRED

FIGURE 5

AXLE BASE ASSEMBLY

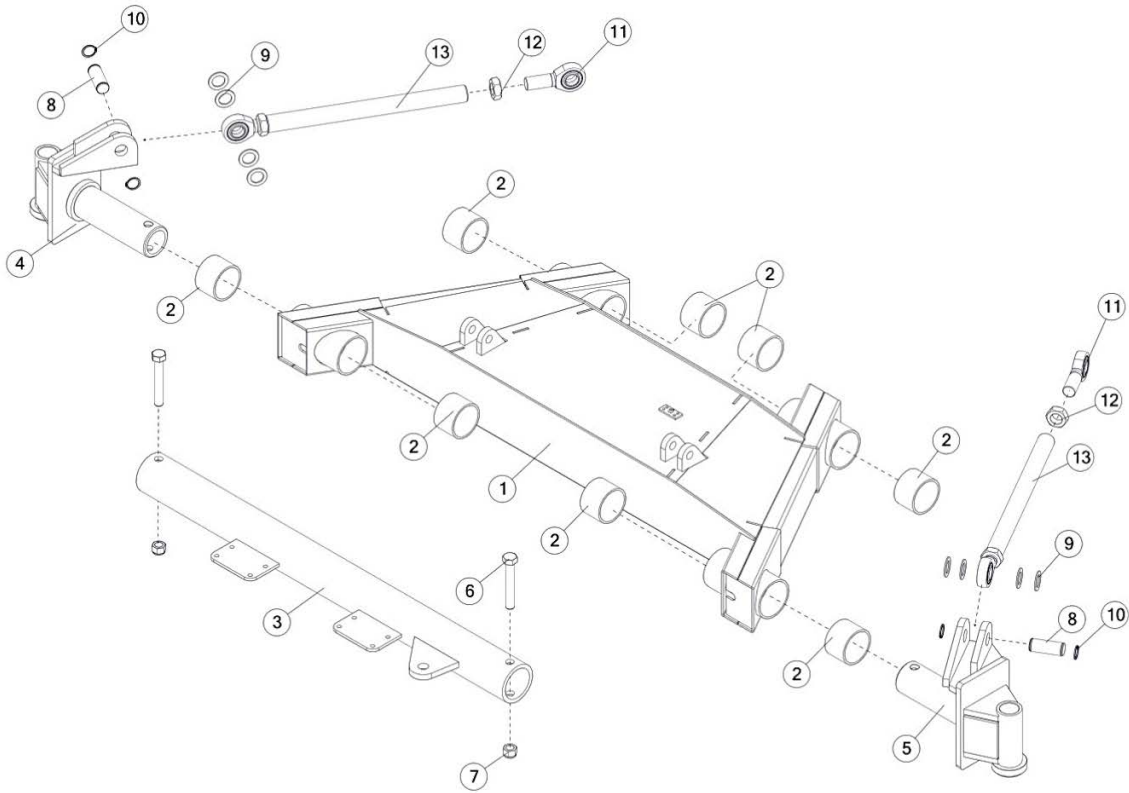


FIGURE 5

AXLE BASE ASSEMBLY

<u>ITEM</u>	<u>QTY</u>		<u>PART #</u>	<u>DESCRIPTION</u>
	<u>30'</u>	<u>35'</u>		
1	1	"	PTMWE44	REAR AXLE ASSY.
2	8	"	PTMMS13	BUSHING
3	1	"	PTMWE49	AXLE PIPE ASSY
4	1	"	PTMWE45	LEFT YOKE ASSY
5	1	"	PTMWE46	RIGHT YOKE ASSY
6	2	"	YBHH32025	BOLT, 1"-8 X 6" GR 5
7	2	"	BFR271	NYLOCK NUT 1"-12
8	2	"	PTMSH26	TOP ROD END PIN
9	A/R	"	16SV374	WASHER
10	4	"	12V62	SNAP RING 1-1/2"
11	4	"	TFM70	ROD END
12	4	"	YNJM40005	HEX NUT, JAM, 1-1/2"-12
13	2	"	PTMTU47	AXLE TOP LINK TUBE

NOTE: " MEANS SAME AS PREVIOUS MODEL

A/R: MEANS AS REQUIRED

FIGURE 6

AXLE ASSEMBLY

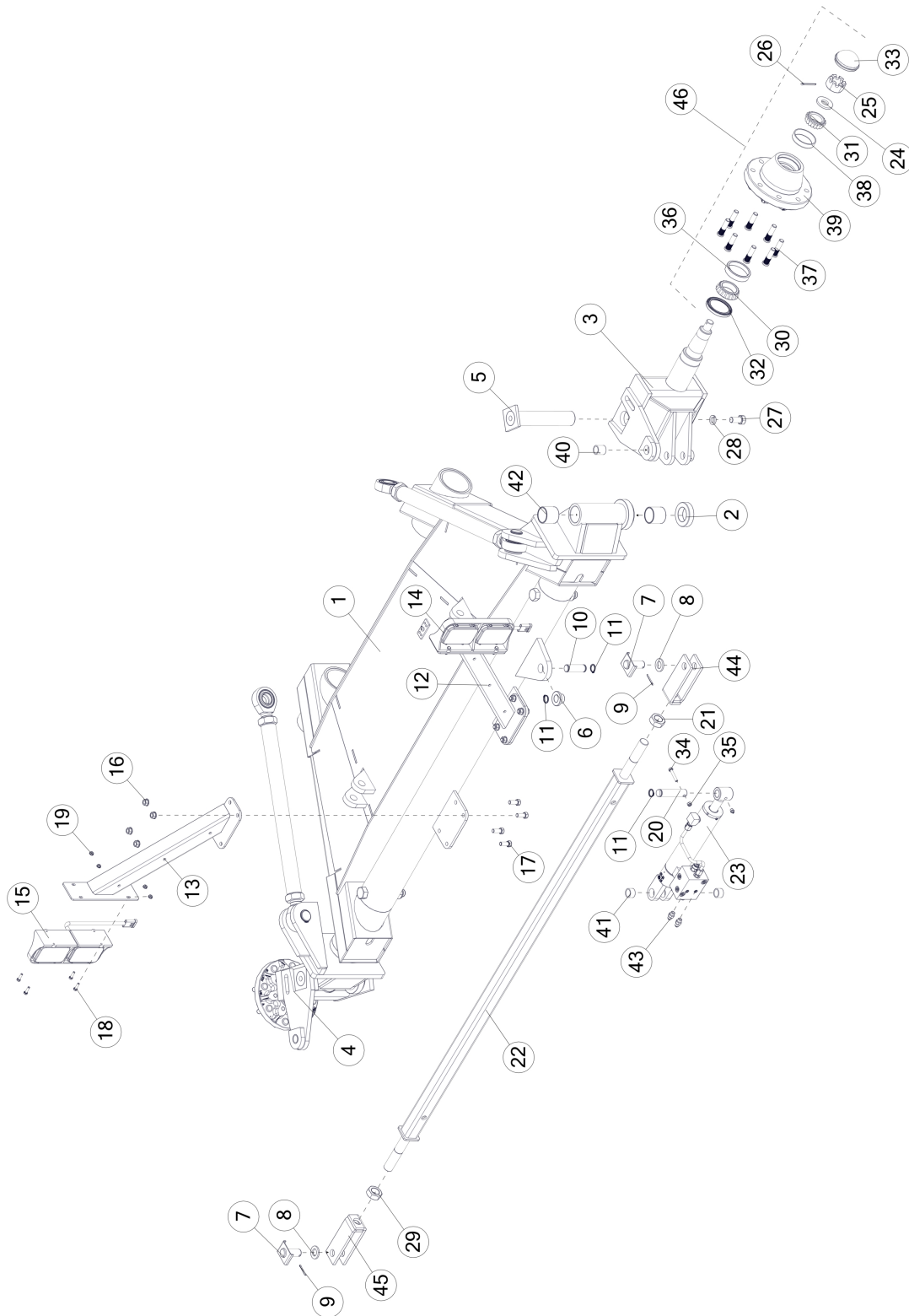


FIGURE 6

AXLE ASSEMBLY

<u>ITEM</u>	<u>QTY</u>		<u>PART #</u>	<u>DESCRIPTION</u>
	<u>30'</u>	<u>35'</u>		
1	1	"	PTMWE44	REAR AXLE ASSY.
2	2	"	RG200	THRUST BEARING
3	1	"	PTMWE80	RIGHT SPINDLE
4	1	"	PTMWE81	LEFT SPINDLE
5	2	"	PTMWE64	KING PIN
6	1	"	PTMSH29	STEERING BASE BUSHING
7	2	"	RG197	CLEVIS PIN
8	2	"	BFR33	WASHER
9	2	"	YPCT05010	COTTER PIN 5/32" X 1-1/2"
10	1	"	PTMSH24	STEERING PIN BASE END
11	3	"	3G21	1" SNAP RING
12	1	"	PTMWE53	RIGHT LIGHT POST
13	1	"	PTMWE52	LEFT LIGHT POST
14	1	"	TFM72	LED TAIL LIGHT ASSY. RIGHT
15	1	"	TFM71	LED TAIL LIGHT ASSY. LEFT
16	8	"	YNSF16005	SERRATED FLANGE HEX NUT 1/2"-13
17	8	"	YBHH16045	HEX BOLT, 1/2"-13 X 1-1/4" GR. 5
18	8	"	YBHH08010	BOLT, 1/4"-20 X 1" GR. 5
19	8	"	YNSF08005	SERRATED FLANGE HEX NUT 1/4"-20
20	1	"	PTMSH44	STEERING ROD END PIN
21	2	"	YNJM36005	JAM NUT 1-1/4"-12
22	1	"	PTMWE50	SQUARE TIE ROD REAR
23	1	"	TFM51	STEERING CYLINDER
*	A/R	"	8656	COUNTER BALANCE VALVE

NOTE: * MEANS NOT SHOWN
" MEANS SAME AS PREVIOUS MODEL
A/R: MEANS AS REQUIRED

FIGURE 6

AXLE ASSEMBLY

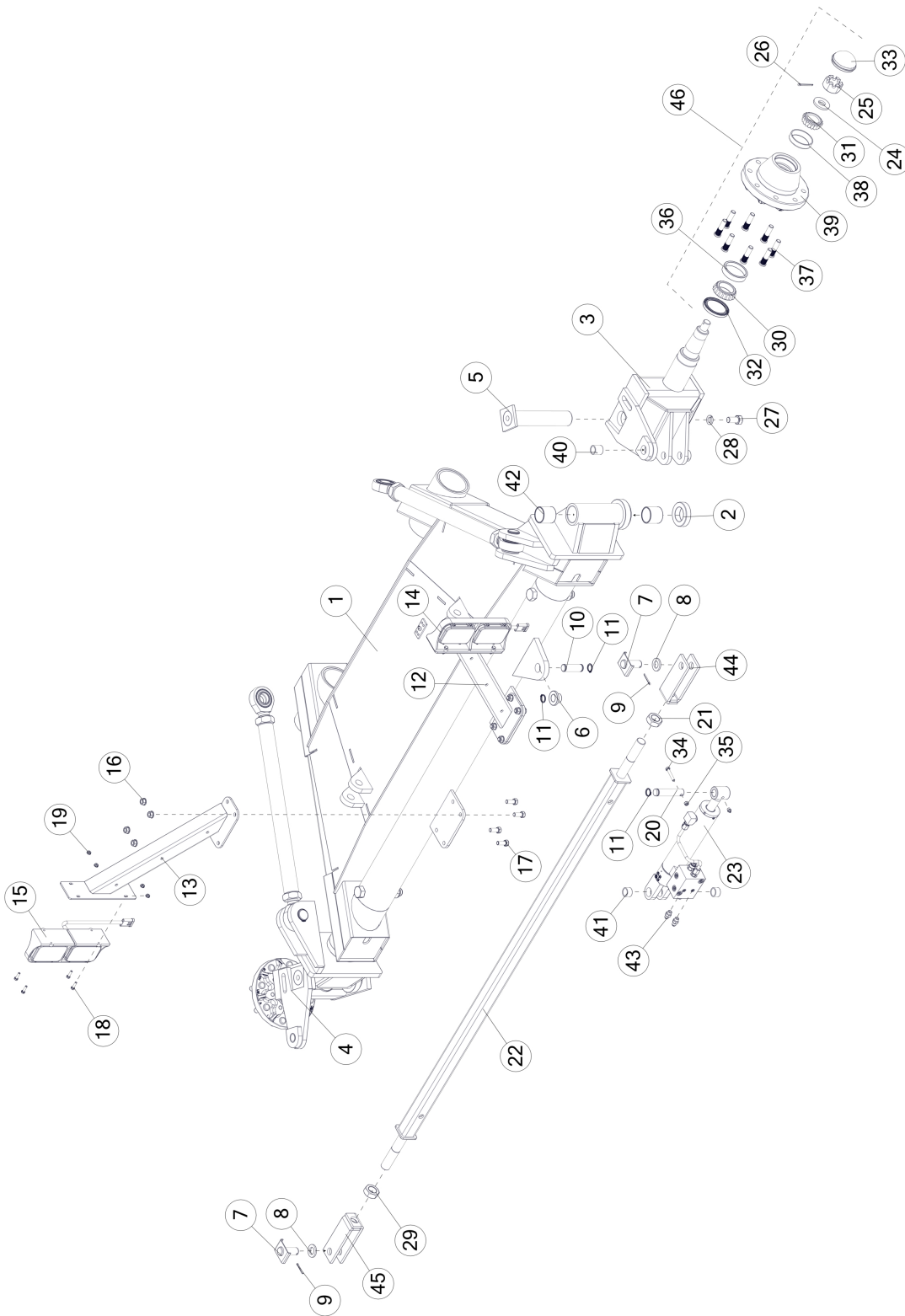


FIGURE 6

AXLE ASSEMBLY

<u>QTY</u>				
<u>ITEM</u>	<u>30'</u>	<u>35'</u>	<u>PART#</u>	<u>DESCRIPTION</u>
*	A/R	"	8238	STEERING CYLINDER SENSOR
24	2	"	PTMHF128	SPINDLE WASHER
25	2	"	YNSL32005	HEX NUT, SLOTTED, 1-1/4"-12
26	2	"	YPCT06020	COTTER PIN 3/16" X 2"
27	2	"	YBHH24011	HEX BOLT, 3/4"-16 X 1-1/2" GR. 5
28	2	"	YWLO24005	LOCK WASHER, 3/4"
29	1	"	YNJM36010	HEX NUT, JAM, 1-1/4"-12 LH THREAD
30	2	"	8717	INNER CONE
31	2	"	8718	OUTER CONE
32	2	"	RG165	SEAL
33	2	"	8720	DUST CAP
34	2	"	YBHH10070	BOLT, 5/16" X 2" GR 5
35	2	"	YNNY10005	HEX NUT, NYLON LOCKNUT, 5/16"-18
36	2	"	8714	INNER RACE
37	16	"	8712	WHEEL STUD
38	2	"	8715	OUTER RACE
39	2	"	8713	HUB
40	2	"	RG151	BUSHING
41	2	"	53415	TENSION BUSHING
42	4	"	PTMMS120	BUSHING
43	2	"	TFM52	SAE-ORB/37° FLARE STRAIGHT THREAD CONNECTOR
44	1	"	PTMWE86	RH CLEVIS
45	1	"	PTMWE79	LH CLEVIS
46	2	"	PTMAS32	COMPLETE HUB ASSY

NOTE: * MEANS NOT SHOWN

" MEANS SAME AS PREVIOUS MODEL

A/R: MEANS AS REQUIRED

FIGURE 7

REAR CHASSIS COMPONENTS

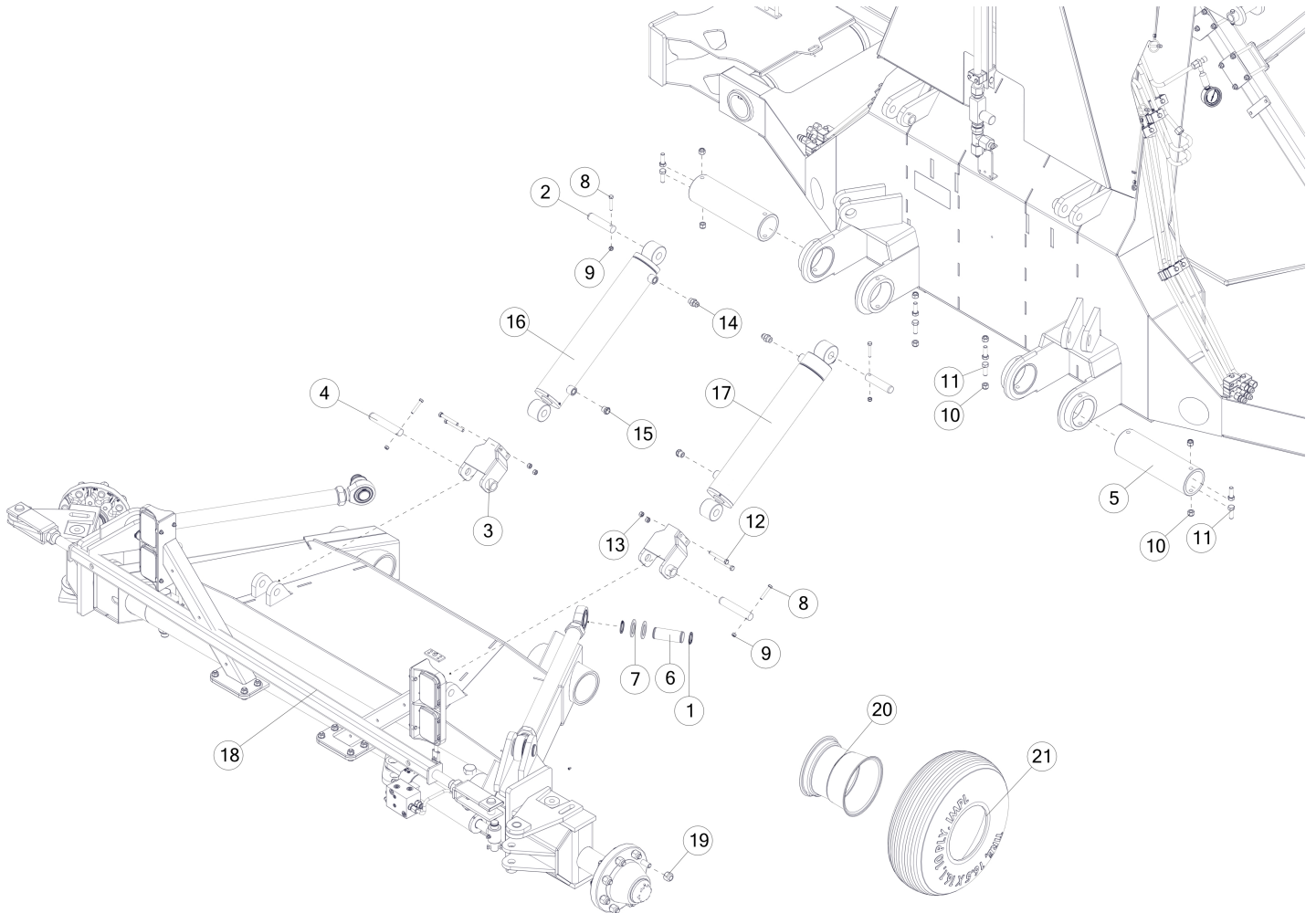


FIGURE 7

REAR CHASSIS COMPONENTS

<u>ITEM</u>	<u>QTY</u>		<u>PART #</u>	<u>DESCRIPTION</u>
	<u>30'</u>	<u>35'</u>		
1	4	"	12V62	SNAP RING 1-1/2"
2	2	"	PTMSH41	WORK RAISE BASE PIN
3	2	"	PTMWE58	CYLINDER STOP ASSY
4	2	"	PTMSH40	WORK RAISE ROD PIN
5	2	"	PTMTU44	AXLE PIVOT TUBE
6	2	"	PTMSH26	TOP ROD END PIN
7	A/R	"	16SV374	WASHER
8	4	"	YBHH10070	HEX BOLT 5/16"-18 X 2" GR.5
9	4	"	YNNY10005	HEX NUT, NYLOCK, 5/16"-18 GR.5
10	8	"	YNNY16005	HEX NUT, NYLOCK, 1/2"-13 GR.5
11	8	"	YBHH16030	HEX BOLT, 1/2" X 1-1/2-13 GR. 5
12	4	"	YBHH12120	HEX BOLT, 3/8"-16 X 3" GR.5
13	4	"	YNRL12005	HEX NUT, REVERSIBLE-SIDE LOCK, 3/8"-16 GR.5
14	2	"	TFM38	STRAIGHT THREAD CONNECTOR
15	2	"	TFM92	SAE 8 O-RING 40 MICRON BREATHER CAP
16	1	"	TFM63	CYLINDER-AXLE LIFT (NO SENSOR)
*	A/R	"	8239	CYLINDER-AXLE LIFT (NO SENSOR) SEAL KIT
17	1	"	TFM64	CYLINDER-AXLE LIFT
*	A/R	"	8241	CYLINDER-AXLE LIFT POSITION SENSOR
18	1	"	PTMWE44	REAR AXLE ASSY.
*	2	"	PTMMS113	HYD HOSE-STEERING VALVE TO STEERING CYLINDER
*	1	"	PTMMS111	HYD HOSE-AXLE LIFT CYL (NO SENSOR)
*	1	"	PTMMS112	HYD HOSE-AXLE LIFT CYL
19	16	"	YNWL20005	LUG NUT 5/8"-18 UNF
20	2	"	12V36	WHEEL 16.1 X 14
21	2	"	UR5	16.5 X 16.1 TIRE

NOTE: * MEANS NOT SHOWN

" MEANS SAME AS PREVIOUS MODEL

A/R: MEANS AS REQUIRED

FIGURE 8

HEAD & CHASSIS COMPONENTS

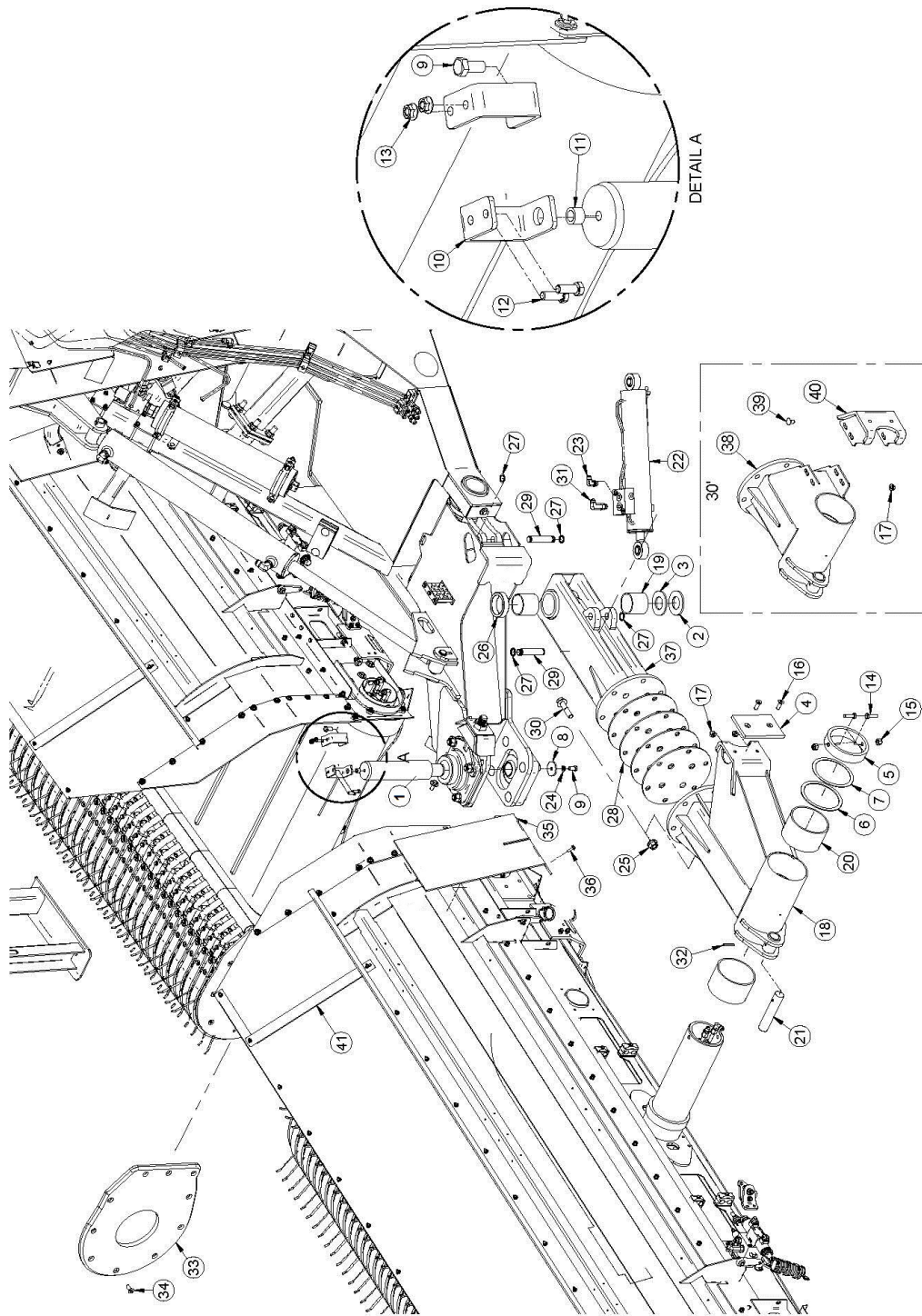


FIGURE 8

HEAD & CHASSIS COMPONENTS

<u>QTY</u>				
<u>ITEM</u>	<u>30'</u>	<u>35'</u>	<u>PART #</u>	<u>DESCRIPTION</u>
1	2	"	PTMSH16	PIVOT PIN
2	2	"	PTM3G75	PIN THRUST WASHER
3	2	"	PTMMS57	PIN THRUST WASHER BRONZE
4	2	"	61077	POLY BUMPER
5	3	"	PTMTU28	HEAD LOCK COLLAR
6	3	"	PTM10G30	HEAD PIVOT SHIM, .13"
7	3	"	PTM14G04	HEAD PIVOT SHIM, .07"
8	2	"	PTM3G42	PIVOT RETAINING WASHER
9	4	"	YBHH16012	HEX BOLT, 1/2"-13 X 1" GR. 8
10	4	"	PTM3G82	OUTER HOSE CLAMP
11	2	"	0209TU04	FLEX BUSHING
12	4	"	YBHH12010	HEX CAP SCREW, 3/8"-16 x 1" GR.5
13	4	"	YNSF12005	SERRATED FLANGE HEX NUT, 3/8"-16
14	6	"	YBHH16055	BOLT, 1/2" X 1-3/4" GR.5
15	6	"	YNNY16005	HEX NUT, NYLOCK 1/2"-13 GR.5
16	4	"	YSFS16010	SOCKET HEAD CAP SCREW 1/2"-13 X 1-1/2"
17	12	"	YNSF16005	SERRATED FLANGE HEX NUT, 1/2"-13
18	—	2	0225WE05	OUTER PIVOT ARM
19	4	"	PTMMS12	FOLD BUSHING
20	6	"	PTMMS09	HEAD PIVOT BUSHING
21	2	"	PTMSH13	PIVOT STOP SHAFT
22	2	"	8566	CYLINDER- ARM EXTENSION (COMPLETE)
*	A/R	"	8655	COUNTERBALANCE CARTRIDGE 2200 PSI

NOTE: " MEANS SAME AS PREVIOUS MODEL

— MEANS NOT USED ON THIS MODEL

*** MEANS NOT SHOWN**

A/R: MEANS AS REQUIRED

FIGURE 8

HEAD & CHASSIS COMPONENTS

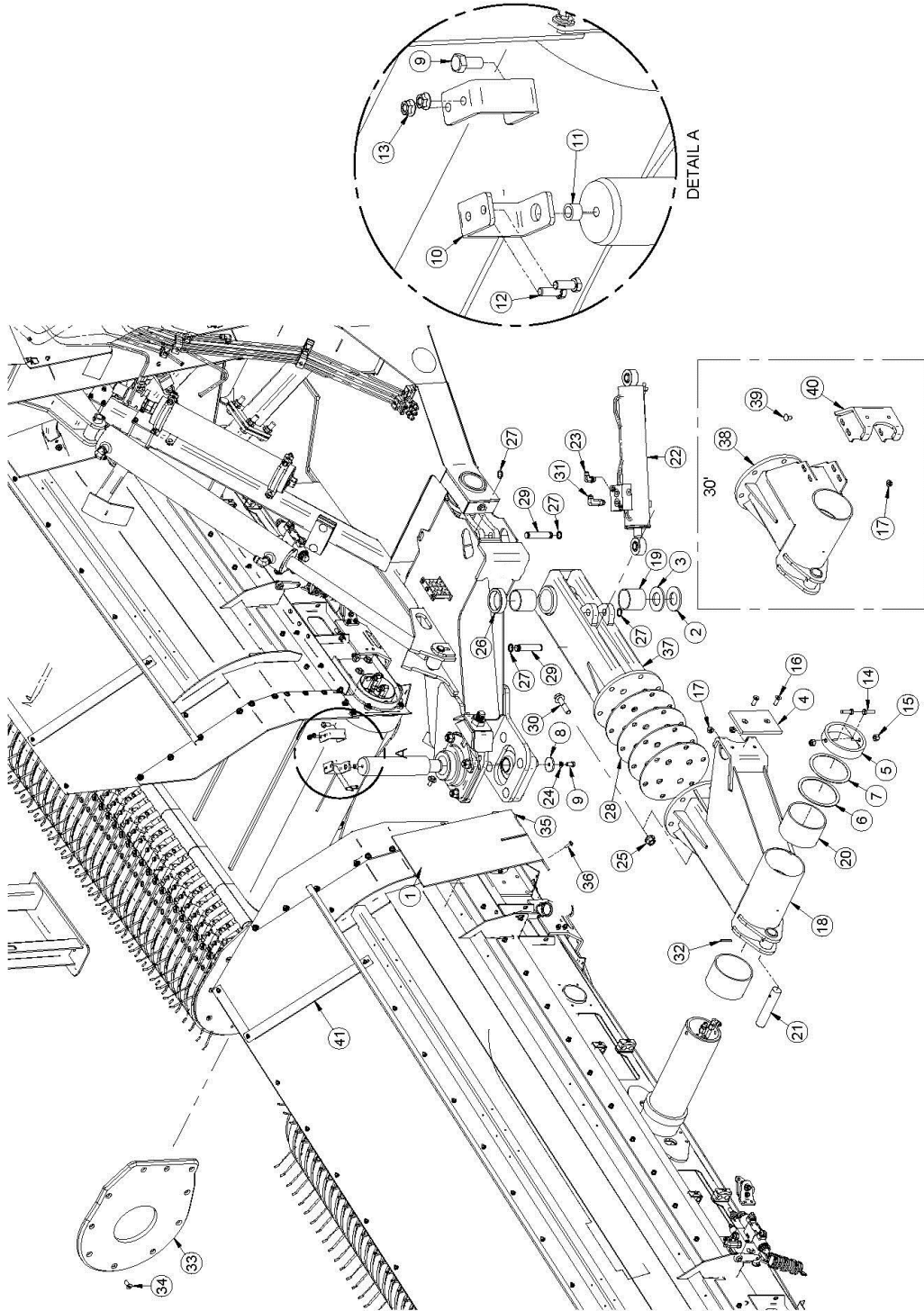


FIGURE 8

HEAD & CHASSIS COMPONENTS

<u>ITEM</u>	<u>QTY</u>		<u>PART #</u>	<u>DESCRIPTION</u>
	<u>30'</u>	<u>35'</u>		
*	A/R	"	8554	CYLINDER SWIVEL BEARING
23	2	"	TS135	8 STR THREAD ELBOW
24	2	"	YWLO16005	LOCK WASHER, 1/2"
25	12	"	YNFG24006	TOP LOCK FLANGE NUT, 3/4"-10 GR.G
26	2	"	PTMTU46	FOLD SPACER
27	8	"	3G21	1" SNAP RING
28	8	"	PTM3G45	PIVOT ARM PLATE
29	4	"	PTMSH23	FOLD CYLINDER PIN
30	12	"	YBFB24025	HEX FLANGE BOLT, 3/4"-10 X 3-1/4" GR.8
31	2	"	TFM47	LONG STR THREAD ELBOW
32	2	"	YPEX10017	SPRING PIN, 5/16" X 2"
33	1	"	0209PL02	LEFT POLY END
*	1	"	0209PL03	RIGHT POLY END (NOT SHOWN)
34	20	"	YSFS16015	FLAT SOCKET HEAD CAP SCREW, 1/2"-13 X 1-1/4"
35	3	"	SPMPL07	DEFLECTOR REST PANEL
36	9	"	YSHW10005	SELF THREADING FLANGE BOLT 5/16" X 1"
37	——	2	0225WE12	INNER PIVOT ARM
*	2	——	PTMWE84	INNER PIVOT ARM
38	2	——	PTMWE04	OUTER PIVOT ARM
39	8	——	YBCR16005	CARR. BOLT, 1/2"-13 X 1" GR.5 ZINC
40	2	——	PTMWE94	PIVOT ARM STOP
41	2	"	56170	DEFLECTOR EXTENSION SUPPORT STRAP

NOTE: " MEANS SAME AS PREVIOUS MODEL

—— MEANS NOT USED ON THIS MODEL

*** MEANS NOT SHOWN**

A/R: MEANS AS REQUIRED

FIGURE 9

LOCKING STAND

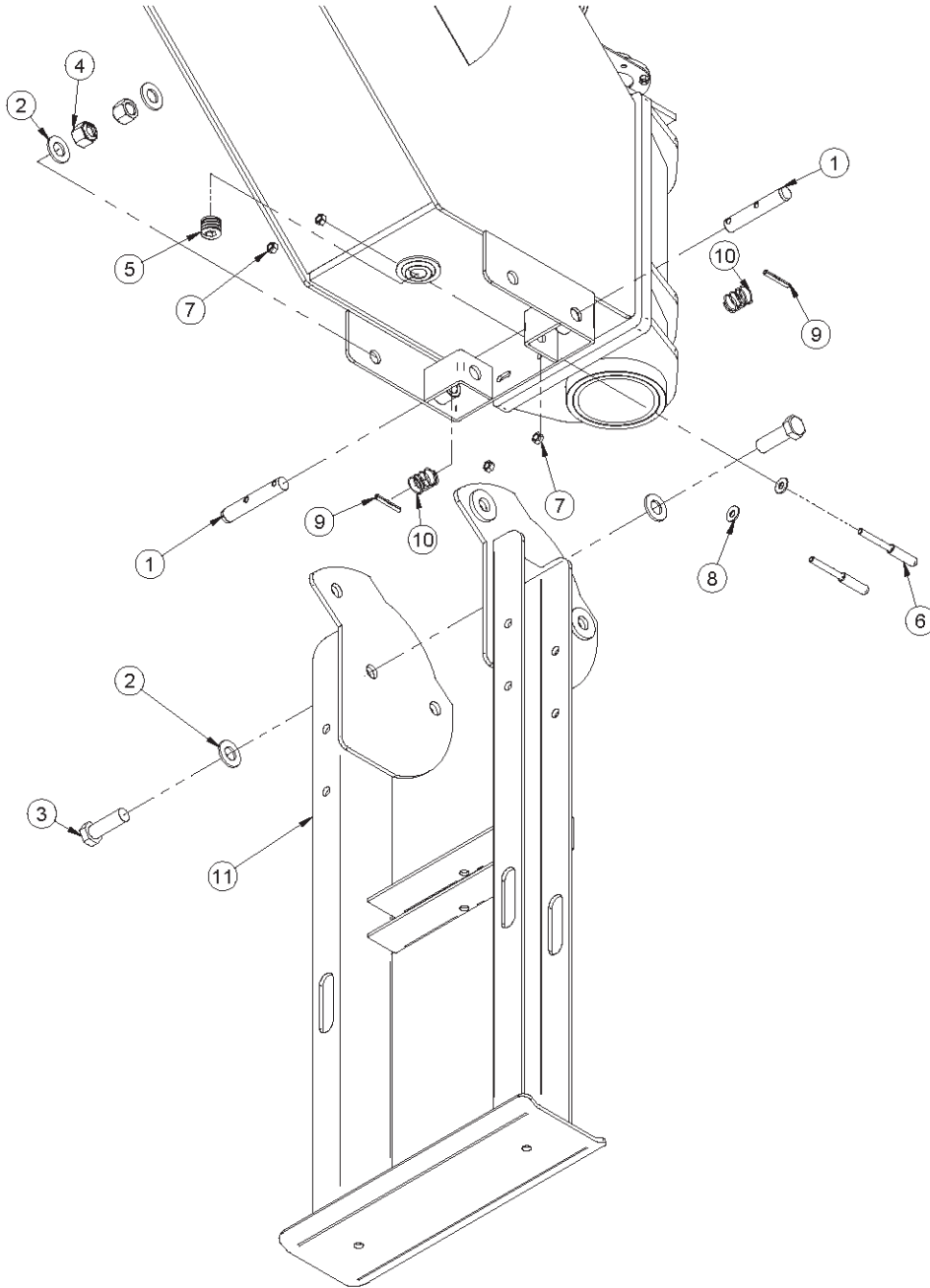


FIGURE 9

LOCKING STAND

<u>ITEM</u>	<u>QTY</u>		<u>PART #</u>	<u>DESCRIPTION</u>
	<u>30'</u>	<u>35'</u>		
1	2	"	PTMSH08	QUICK LOCK PIN
2	4	"	YWFL24005	FLAT WASHER, 3/4" GR.5
3	2	"	YBHH24035	HEX BOLT, 3/4" X 2-1/4" GR.5
4	2	"	YNNY24003	HEX NUT, NYLON LOCKNUT, 3/4"-10 GR.5
5	1	"	53453	HEX PIPE PLUG, 3/4" NPTF, MAGNETIC
6	2	"	PTMSH47	GRIP PIN
7	6	"	YNRL10005	HEX NUT, REVERSIBLE-SIDE LOCK, 5/16"-18
8	2	"	YWFL10005	FLAT WASHER, 5/16" GR.5
9	2	"	YPEX08015	EXPANSION PIN, 1/4" X 1-3/4"
10	2	"	BFR240	SPRING
11	1	"	PTMWE51	QUICK LOCK POST ASSY

NOTE: " MEANS SAME AS PREVIOUS MODEL

FIGURE 10

CENTER HEAD LIFT

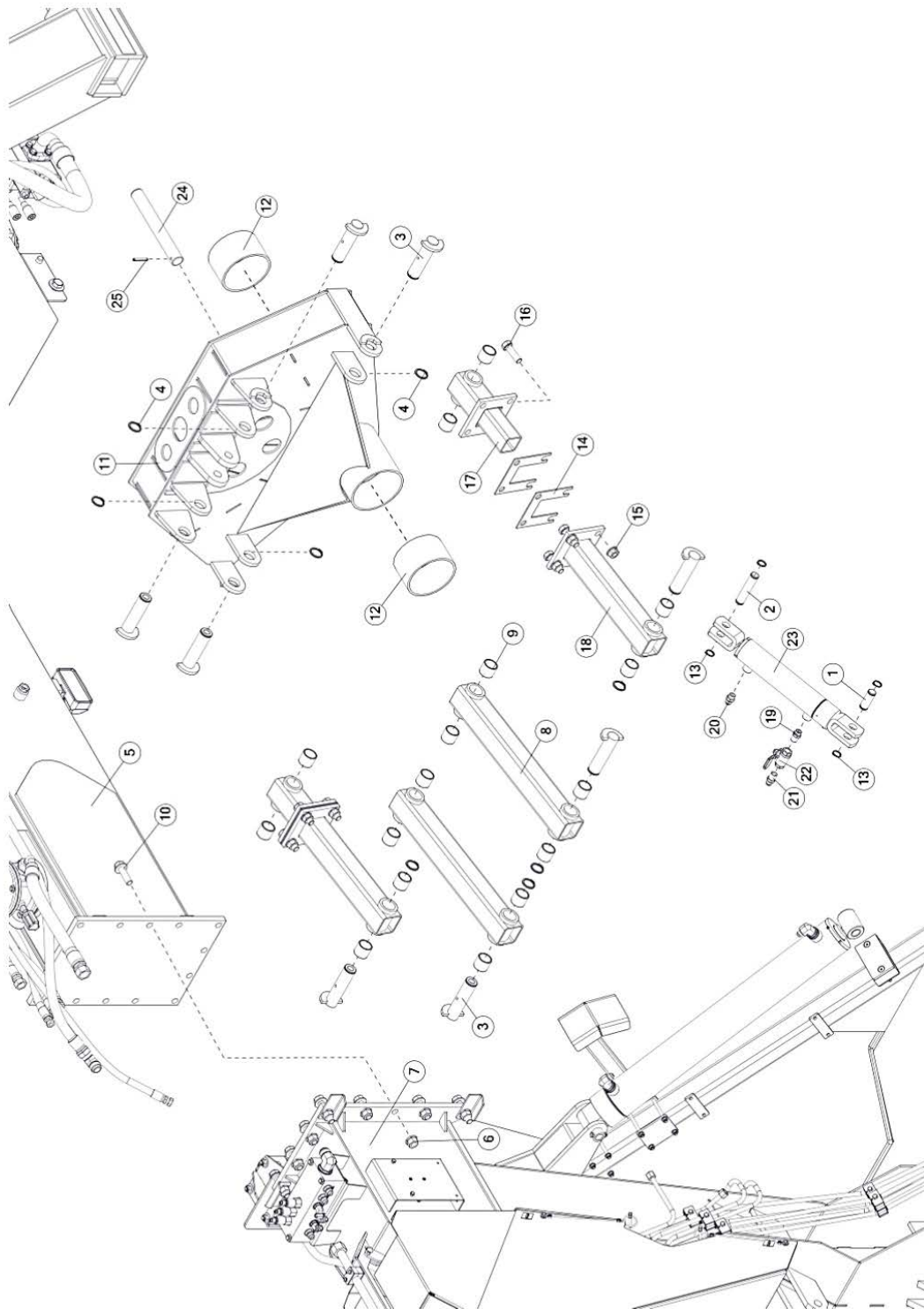


FIGURE 10

CENTER HEAD LIFT

<u>ITEM</u>	<u>QTY</u>		<u>PART #</u>	<u>DESCRIPTION</u>
	<u>30'</u>	<u>35'</u>		
1	1	"	PTMSH31	CENTER LIFT BASE PIN
2	1	"	PTMSH33	CENTER LIFT ROD PIN
3	8	"	PTMWE68	CENTER HEAD PIN ASSY
4	8	"	12V62	SNAP RING 1-1/2"
5	1	"	PTMAS19	RESERVOIR ASSEMBLY
6	14	"	YNFG24006	TOP LOCK FLANGE NUT 3/4"-10 GR. G
7	1	"	PTMWE10	FRAME ASSY
8	2	"	PTMWE11	UPPER LIFT ARM
9	16	"	17G134	BRONZE BUSHING 1-3/4" OD X 1-1/2" ID X 1.50
10	14	"	YBFB24005	BOLT, FLANGE, 3/4"-10 X 2.5" GR.8
11	1	"	64215	CENTER LIFT TRUNNION
12	2	"	PTMMS09	HEAD PIVOT BUSHING
13	4	"	3G21	1" SNAP RING
14	A/R	"	PTM10G51	ADJUSTER SHIM
15	8	"	YNSF24005	SERRATED FLANGE HEX NUT 3/4"-10
16	8	"	YBHH24025	HEX BOLT, 3/4" X 2-1/2" GR. 5 FULL THREAD
17	2	"	PTMWE62	MIDDLE ARM END
18	2	"	PTMWE63	LIFT ARM
19	1	"	TFM89	NPTF / ORB STR THREAD CONNECTOR
20	1	"	TFM38	STRAIGHT THREAD CONNECTOR
21	1	"	TFM90	NPTF / JIC STRAIGHT THREAD CONNECTOR
22	1	"	WM140	1/2" NPTF BALL VALVE
23	1	"	TFM65	CYLINDER-CENTER LIFT
*	A/R	"	8238	CYLINDER-CENTER LIFT POSITION SENSOR
*	A/R	"	8230	CYLINDER-CENTER LIFT SEAL KIT
24	1	"	61366	ROD-REPLACEABLE PIVOT PIN
25	1	"	YPEX1007	EXPANSION PIN, 5/16 X 2

NOTE: " MEANS SAME AS PREVIOUS MODEL

*** MEANS NOT SHOWN**

A/R: MEANS AS REQUIRED

FIGURE 11

HEAD FRAME COMPONENTS

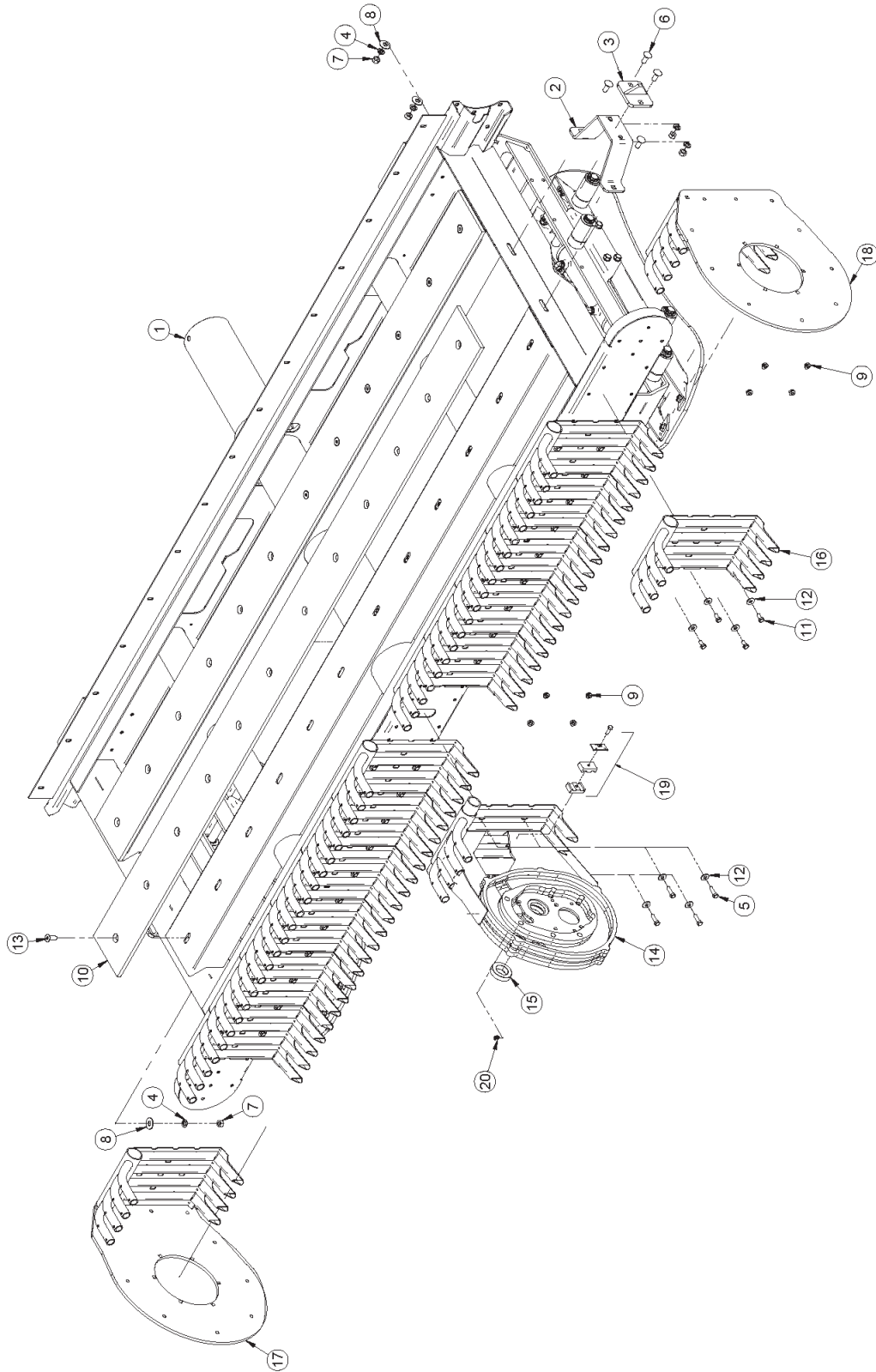


FIGURE 11

HEAD FRAME COMPONENTS

<u>ITEM</u>	<u>QTY</u>		<u>PART #</u>	<u>DESCRIPTION</u>
	<u>30'</u>	<u>35'</u>		
1	---	1	0225WE01	CONVEYOR FRAME
*	1	---	SPMWE16	CONVEYOR FRAME
2	2	2	SPM3G34	SCRAPER BRACKET
3	2	2	SPMWE37	GROOVE SCRAPER
4	28	32	YWLO16005	LOCK WASHER, 1/2"
5	8	8	YBHH12035	HEX BOLT, 3/8" - 16 X 1-1/4" GR. 5
6	8	8	YBCR16015	CARRIAGE BOLT, 1/2"-13 X 1-1/4"
7	28	32	YNHX16005	HEX NUT, 1/2"-13 GR.5
8	24	28	YWFL16005	FLAT WASHER, 1/2" GR.5
9	56	64	YNSF12005	SERRATED FLANGE HEX NUT 3/8"-16
10	---	2	0225PL02	CENTER CONVEYOR POLY
*	2	---	SPMPL01	CENTER CONVEYOR POLY
11	48	56	YBHH12135	HEX BOLT, 3/8" X 3/4" GR. 5
12	56	64	YWFL12005	FLAT WASHER, 3/8", GR. 5
13	10	24	YSFS16015	FLAT SOCKET HEAD CAP SCREW, 1/2"-13 X 1-1/4"
14	1	1	0209WE04	CAM ASSY
15	1	1	TFM29	1-1/2" RADIAL BALL THRUST BEARING
16	10	12	SPMWE02	CHANNEL SECTION
17	1	1	SPMWE15	RIGHT END SECTION
18	1	1	SPMWE14	LEFT END SECTION
19	2	2	TFM91	1/2" TWIN TUBE CLAMP
20	1	1	RG21	1/4"-28, 45° ZERK

NOTE: * MEANS NOT SHOWN
 --- MEANS NOT USED ON THIS MODEL

FIGURE 12

PICKUP HEAD

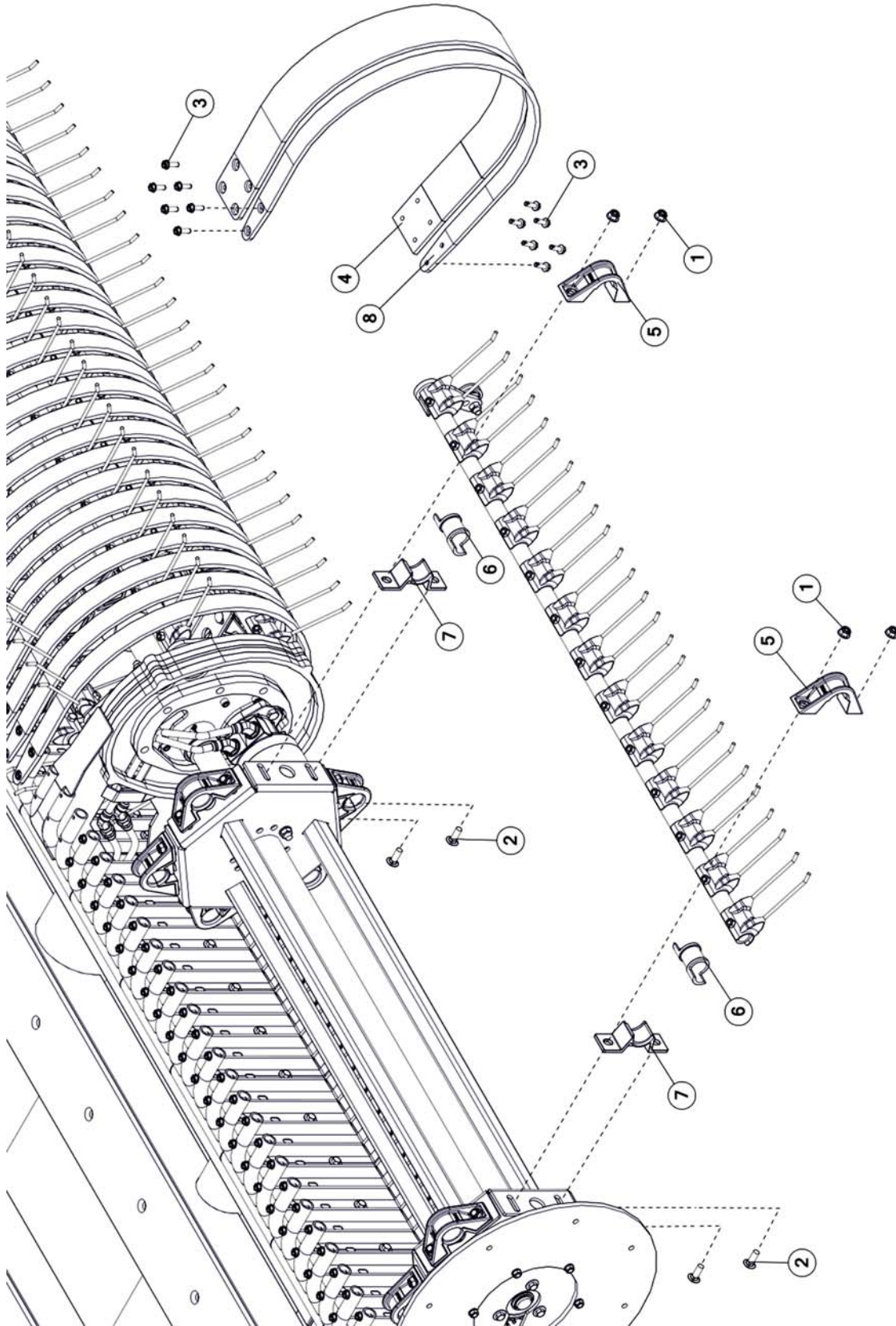


FIGURE 12
PICKUP HEAD

<u>ITEM</u>	<u>QTY</u>		<u>PART #</u>	<u>DESCRIPTION</u>
	<u>30'</u>	<u>35'</u>		
1	48	"	YNFG14011	HEX NUT, FLANGE, NYLOCK, 7/16-14, GR. F, ZINC
2	48	"	YBCR14005	7/16"-14 X 1-1/4" CARRIAGE BOLT GRADE A
3	208	240	YSHW10005	HWH TCS "F", 5/16"-18 X 1"
4	1	"	SPMPL04	CENTER HAY STRIPPER
5	24	"	SPMMS17	TINE BAR BEARING HOUSING TOP, MOLDED
6	24	"	SPMMS18	TINE BAR WEAR SLEEVE
7	24	"	SPMMS16	TINE BAR BEARING HOUSING BOTTOM, MOLDED
*	"	"	59993	TINE BAR BEARING KIT
8	50	58	SPMMS13	HAY STRIPPER (INJECTION MOLDED)

NOTE: " MEANS SAME AS PREVIOUS MODEL

FIGURE 13

SHIELDS & RELATED COMPONENTS

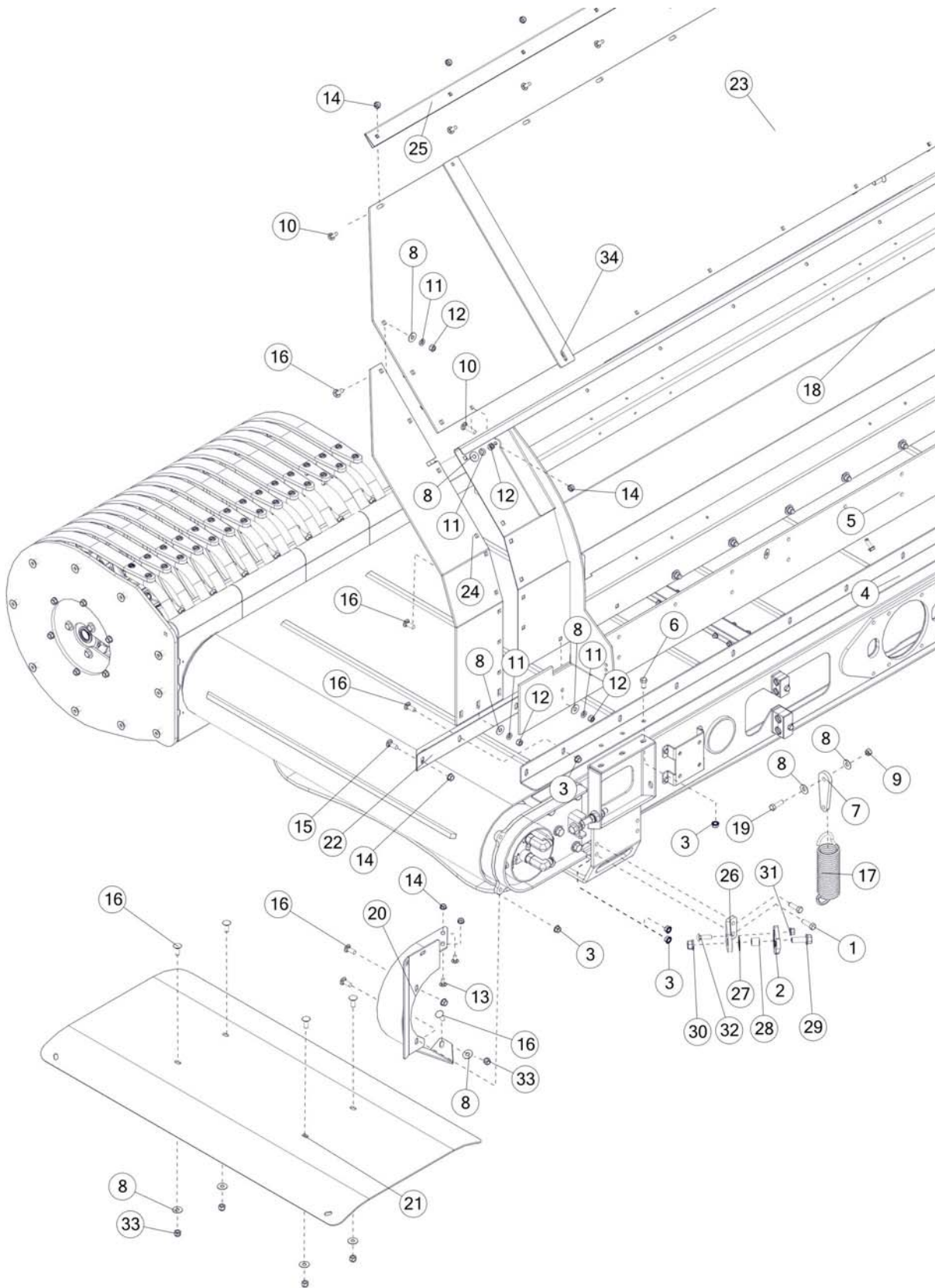


FIGURE 13

SHIELDS & RELATED COMPONENTS

<u>QTY</u>				
<u>ITEM</u>	<u>30'</u>	<u>35'</u>	<u>PART #</u>	<u>DESCRIPTION</u>
1	4	"	YBHH12040	HEX BOLT, 3/8"-16 X 1-1/4" GR.5 FULL THREAD
2	2	"	SPMHF43	DEFLECTOR SPRING TENSIONER BRACKET
3	35	37	YNSF12005	SERRATED FLANGE NUT 3/8"-16
4	---	1	022510G02	DEFLECTOR MOUNT
*	1	---	SPM10G28	DEFLECTOR MOUNT
5	---	1	0225RU01	RUBBER DEFLECTOR HINGE
*	1	---	SPMRU01	RUBBER DEFLECTOR HINGE
6	6	"	YBHH12135	HEX BOLT, 3/8"-16 X 3/4" GR. 5
7	2	"	SPMHF31	SPRING TAB
8	40	43	YWFL12005	FLAT WASHER, 3/8", GR. 5
9	2	"	YNRL12005	HEX NUT, REVERSIBLE-SIDE LOCK, 3/8"-16 GR.5
10	24	26	YBCR10010	CARR. BOLT, 5/16" X 1" GR. 5
11	36	39	YWLO12005	LOCK WASHER, 3/8"
12	36	39	YNHX12005	HEX NUT, 3/8"-16 GR.5
13	4	"	YBCR10003	CARR. BOLT 5/16"-18 X 5/8" GR.5
14	20	22	YNSF10005	SERRATED FLANGE NUT, 5/16"-18
15	2	"	YBCR12015	CARR. BOLT 3/8"-16 X 1-1/2" GR.5
16	58	66	YBCR12010	CARRIAGE BOLT, 3/8"-16 X 1" GR.5
17	2	"	8740	DEFLECTOR SPRING
18	---	1	0225WE15	DEFLECTOR ASSY
*	1	---	SPMWE49	DEFLECTOR ASSY
19	2	"	YBHH12035	HEX BOLT, 3/8"-16 X 1-1/4" GR.5
20	1	"	SPMWE43	ROLLER SHIELD ASSY LEFT
*	1	"	SPMWE42	RIGHT ROLLER SHIELD ASSY
21	---	1	59127	BELT RETURN PAN
*	1	---	59127	BELT RETURN PAN
22	---	1	022510G03	STEEL DEFLECTOR WIPER
*	1	---	SPM10G29	STEEL DEFLECTOR WIPER
23	---	1	0225PL03	POLY EXTENSION
*	1	---	SPMPL08	POLY EXTENSION
24	2	"	SPMRU02	DEFLECTOR END
25	1	---	SPM18G01	DEFLECTOR LIP
*	---	1	022518G01	DEFLECTOR LIP
26	2	"	SPMHF44	DEFLECTOR TENSIONER MOUNT
27	2	"	SPMMS19	DEFLECTOR TENSIONER SHIM
28	2	"	SPMTU33	DEFLECTOR TENSIONER PIVOT BUSHING
29	2	"	YBFB16005	1/2"-13 X 1-1/2" FLANGE BOLT, GR. 5, ZINC
30	2	"	YNFG16005	HEX NUT, FLANGED - LOCK, 1/2" - 13
31	2	"	YNFG12005	3/8"-16, TOP LOCK FLANGE NUT, GRADE F, ZINC PLATED
32	2	"	YNCR12020	CARR. BOLT, 3/8" X 1-1/4" GR. 5
33	5	"	YNNY12005	HEX NUT, NYLON LOCKNUT, 3/8"
34	2	"	56170	DEFLECTOR EXTENSION SUPPORT STRAP

NOTE: " MEANS SAME AS PREVIOUS MODEL

--- MEANS NOT USED ON THIS MODEL

* MEANS NOT SHOWN

FIGURE 14

DRIVE ROLLER & END CAP

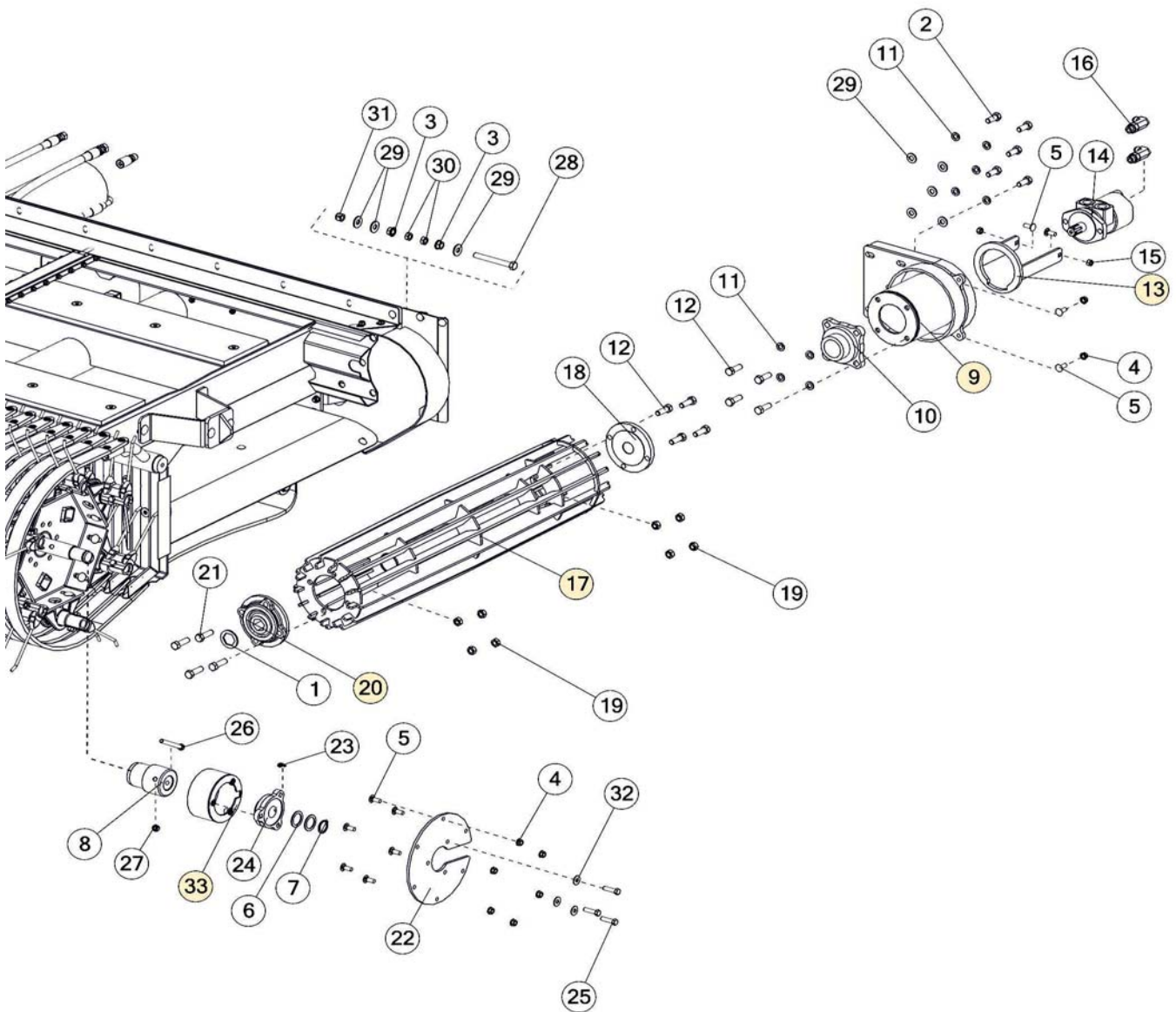


FIGURE 14

DRIVE ROLLER & END CAP

<u>ITEM</u>	<u>QTY</u>		<u>PART #</u>	<u>DESCRIPTION</u>
	<u>30'</u>	<u>35'</u>		
1	1	"	SPM10G08	1/8" CROSS CONVEYOR SHIM
2	5	"	YBHH16045	BOLT, 1/2" X 1-1/4" GR. 5
3	7	"	YNSF16005	SERRATED FLANGE HEX NUT 1/2"-13
4	9	"	YNSF12005	SERRATED FLANGE HEX NUT 3/8"-16
5	6	"	YBCR12010	CARRIAGE BOLT 3/8"-16 X 1" GR.5
6	A/R	"	SPM14G28	TOOTH SHIM
7	1	"	F73	SNAP RING 1-1/4"
8	1	"	0209SH08	PILOT HUB
9	1	"	56832	MOTOR HOUSING
10	1	"	TFM48	MOTOR HOUSING BEARING
11	4	"	YWLO16005	LOCK WASHER 1/2"
12	8	"	YBHH16030	HEX BOLT 1/2"-13 X 1-1/2" GR. 5
13	1	"	SPMWE36	MOTOR BRACKET
14	1	"	TFM46	CROSS CONVEYOR MOTOR
*	---	---	8662	SEAL KIT
15	2	"	YNRL12005	HEX NUT, REVERSIBLE-SIDE LOCK, 3/8"-16
16	2	"	TFM47	LONG STR THREAD ELBOW
17	1	"	SPMWE13	DRIVE ROLLER
18	1	"	SPMSH02	DRIVE HUB
19	8	"	YNTL16005	HEX NUT, TOP LOCK, 1/2"-13 GR.5
20	1	"	TFM45	IDLER BEARING
21	4	"	YBHH16055	HEX BOLT, 1/2"-13 X 1-3/4" GR.5
22	1	"	SPM3G13	IDLER SHAFT PANEL
23	1	"	GM503	GREASE ZERK, 90°, 1/8" NPT
24	1	"	TFM50	3 BOLT FLANGE SET SCREW LOCKING BEARING
25	3	"	YBHH12025	BOLT, 3/8-16 X 1-1/2 GR 5
26	1	"	YBHH12150	BOLT, 3/8 X 3-1/2 GR 5 FULL THREAD
27	1	"	YNNY12005	HEX NUT, NYLOCK 3/8"-16 GR.5
28	---	2	YBHH16181	BOLT, 1/2 X 7 GR 5 FULL THREAD
*	2	---	YBHH16145	BOLT, 1/2" X 4-1/2" GR. 5 FULL THREAD
29	7	"	YWFL16005	WASHER, FLAT, 1/2" USS
30	2	"	YNJM16005	HEX NUT, JAM, 1/2"-13
31	1	"	YNNY16005	HEX NUT, NYLON LOCKNUT, 1/2"
32	3	"	YWFL12005	WASHER, FLAT, 3/8 USS
33	1	"	59143	ANTI WRAP GUARD

NOTE: " MEANS SAME AS PREVIOUS MODEL

--- MEANS NOT USED ON THIS MODEL

* MEANS NOT SHOWN

A/R: MEANS AS REQUIRED

FIGURE 15
CAM & DRIVE ASSEMBLY

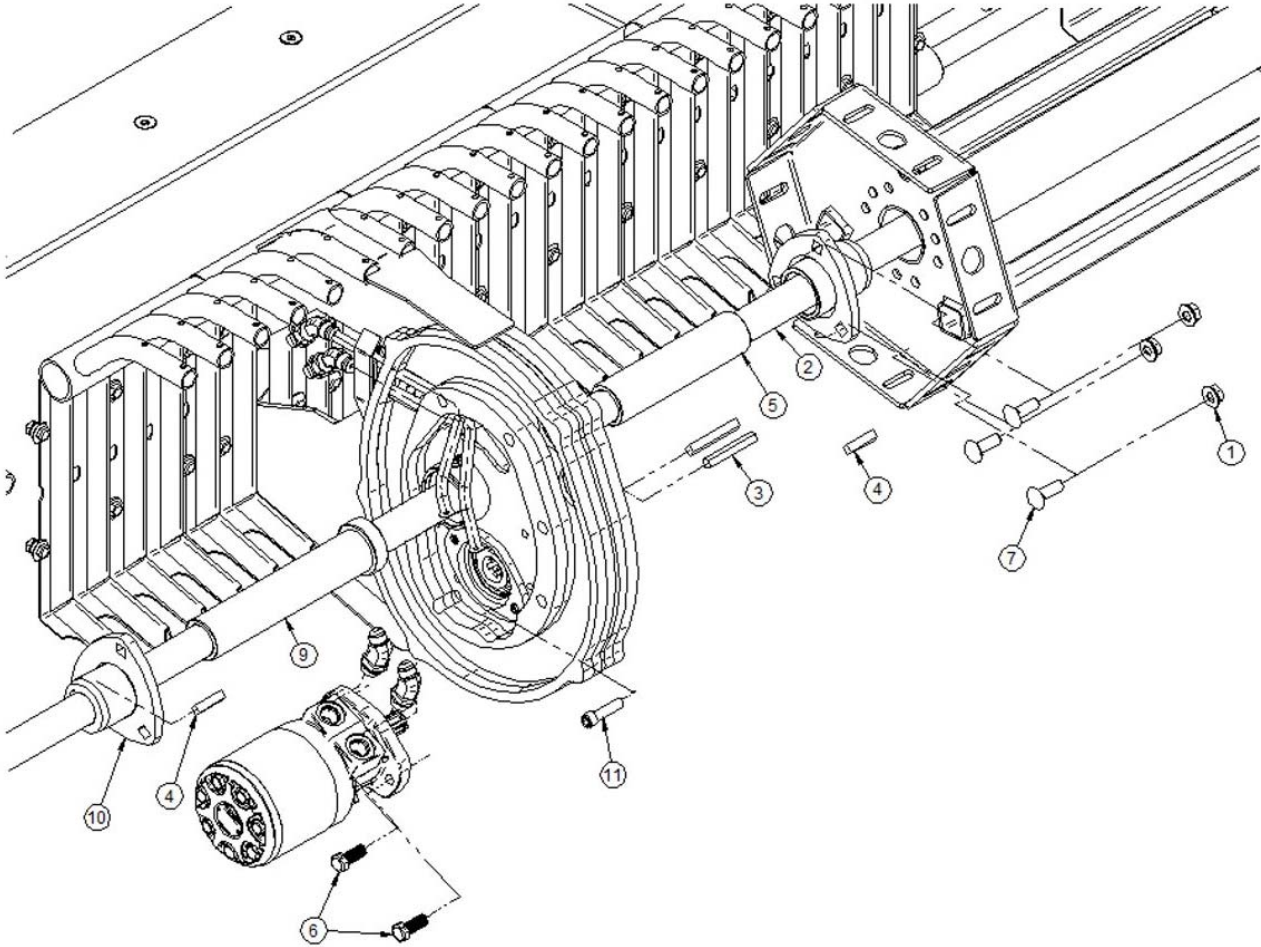


FIGURE 15

CAM & DRIVE ASSEMBLY

<u>ITEM</u>	<u>QTY</u>		<u>PART #</u>	<u>DESCRIPTION</u>
	<u>30'</u>	<u>35'</u>		
1	6	"	YNSF16005	SERRATED FLANGE LOCK NUT 1/2"-13
2	1	---	0209SH01	DRIVE SHAFT
*	---	1	0225SH04	DRIVE SHAFT
3	2	"	0209MS08	3/8 X 2-7/8" HARDENED KEY
4	2	"	TFM28	3/8" X 1-5/8" HARDENED KEY
5	1	"	0209TU08	LEFT SHAFT SPACER
6	2	"	YBHH16046	BOLT, 1/2 X 1-1/4 GR 5 FINE THREAD
7	6	"	YBCR16010	CARRIAGE BOLT 1/2"-13 X 1-1/2" GR 5
8	2	---	0209WE07	PICKUP REEL
*	---	2	0225WE10	PICKUP REEL
9	1	"	0209WE08	RIGHT SHAFT SPACER ASSY
10	2	"	0209WE06	KEYED HUB ASSY
11	5	"	YBHH12010	HEX BOLT, 3/8" X 1" GR. 5
*	1	"	8259	GREASE LINE FITTING, 90° ELBOW, 5/32 O.D. x 1/8 NPT

NOTE: " MEANS SAME AS PREVIOUS MODEL
 --- MEANS NOT USED ON THIS MODEL
 * MEANS NOT SHOWN

FIGURE 16

TINE BAR

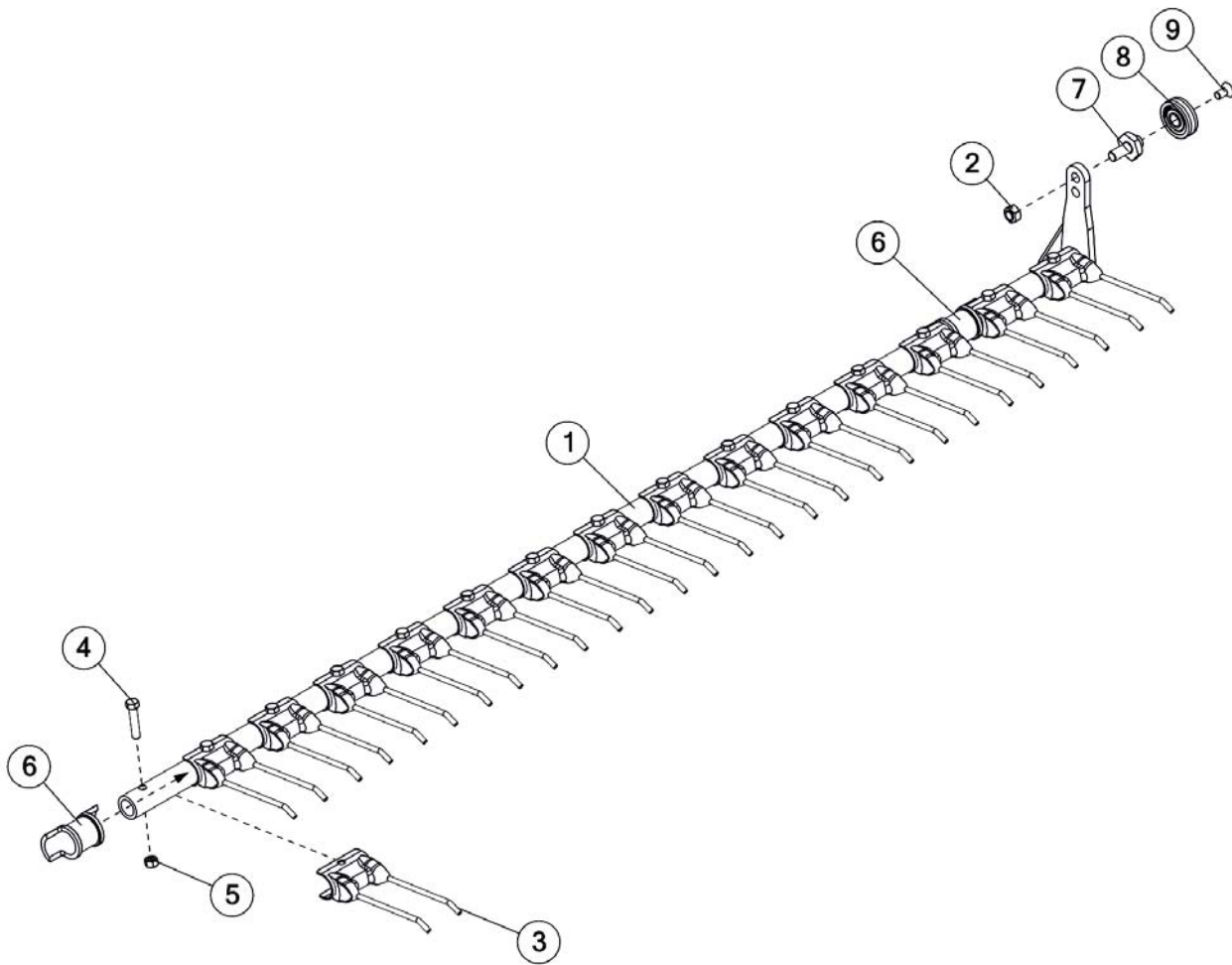


FIGURE 16

TINE BAR

<u>ITEM</u>	<u>QTY</u>		<u>PART #</u>	<u>DESCRIPTION</u>
	<u>30'</u>	<u>35'</u>		
1	——	1	0225WE04	LEFT TINE BAR
*	1	——	0209WE02	LEFT TINE BAR
*	——	1	0225WE03	RIGHT TINE BAR
*	1	——	0209WE01	RIGHT TINE BAR
2	1	“	YNL16005	HEX NUT, TOP LOCK, 1/2"-13
3	13	15	SPMMS00	RUBBER TINE
4	13	15	YBHH12060	BOLT, 3/8 X 1-3/4 GR 5
5	13	15	YNRL12005	HEX NUT, REVERSIBLE-SIDE LOCK, 3/8"-16
6	2	“	SPMMS18	TINE BAR WEAR SLEEVE
7	1	“	SPMSH14	FOLLOWER BEARING MOUNT
8	1	“	TFM41	FOLLOWER BEARING
9	1	“	YSFS12015	FLAT SOCKET HEAD CAP SCREW 3/8"-24 X 3/4"

NOTE: “ MEANS SAME AS PREVIOUS MODEL

—— MEANS NOT USED ON THIS MODEL

* MEANS NOT SHOWN

FIGURE 17
GEARBOX ASSEMBLY

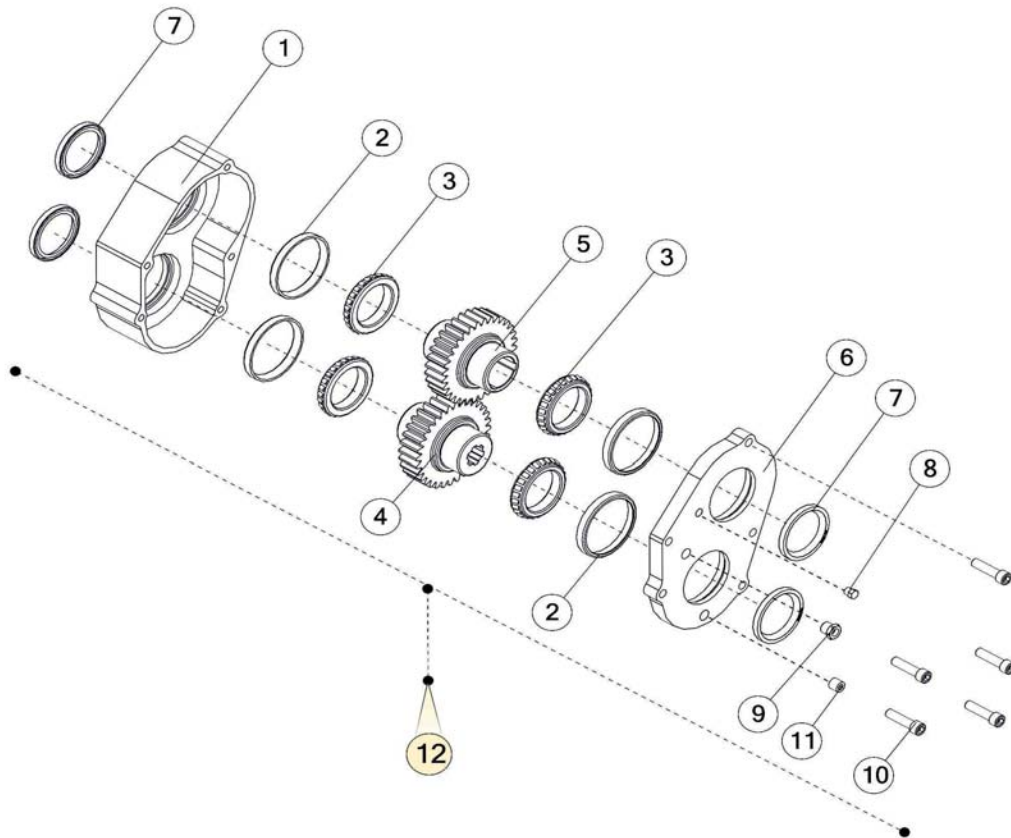


FIGURE 17

GEARBOX ASSEMBLY

<u>ITEM</u>	<u>QTY</u>		<u>PART #</u>	<u>DESCRIPTION</u>
	<u>30'</u>	<u>35'</u>		
1	1	"	0209MS04	GEARCASE HOUSING
2	4	"	TFM33	BEARING RACE
3	4	"	TFM34	BEARING CONE
4	1	"	0209SH02	DRIVER GEAR
5	1	"	0209SH03	DRIVEN GEAR KEYED
6	1	"	0209HF06	GEAR CASE OUTER COVER
7	4	"	TFM35	GEARCASE SEAL
8	1	"	G67	1/8" NPT CHECK / VENT
9	1	"	TFM32	1/4" NPT SIGHT GLASS
10	5	"	YSHS12008	SOCKET HEAD CAP SCREW, 3/8"-16 X 1-1/2"
11	1	"	1141	1/4" PIPE PLUG
12	1	"	0209AS05	GEAR BOX (COMPLETE)

NOTE: " MEANS SAME AS PREVIOUS MODEL

FIGURE 18
CONVEYOR BELT ASSEMBLY

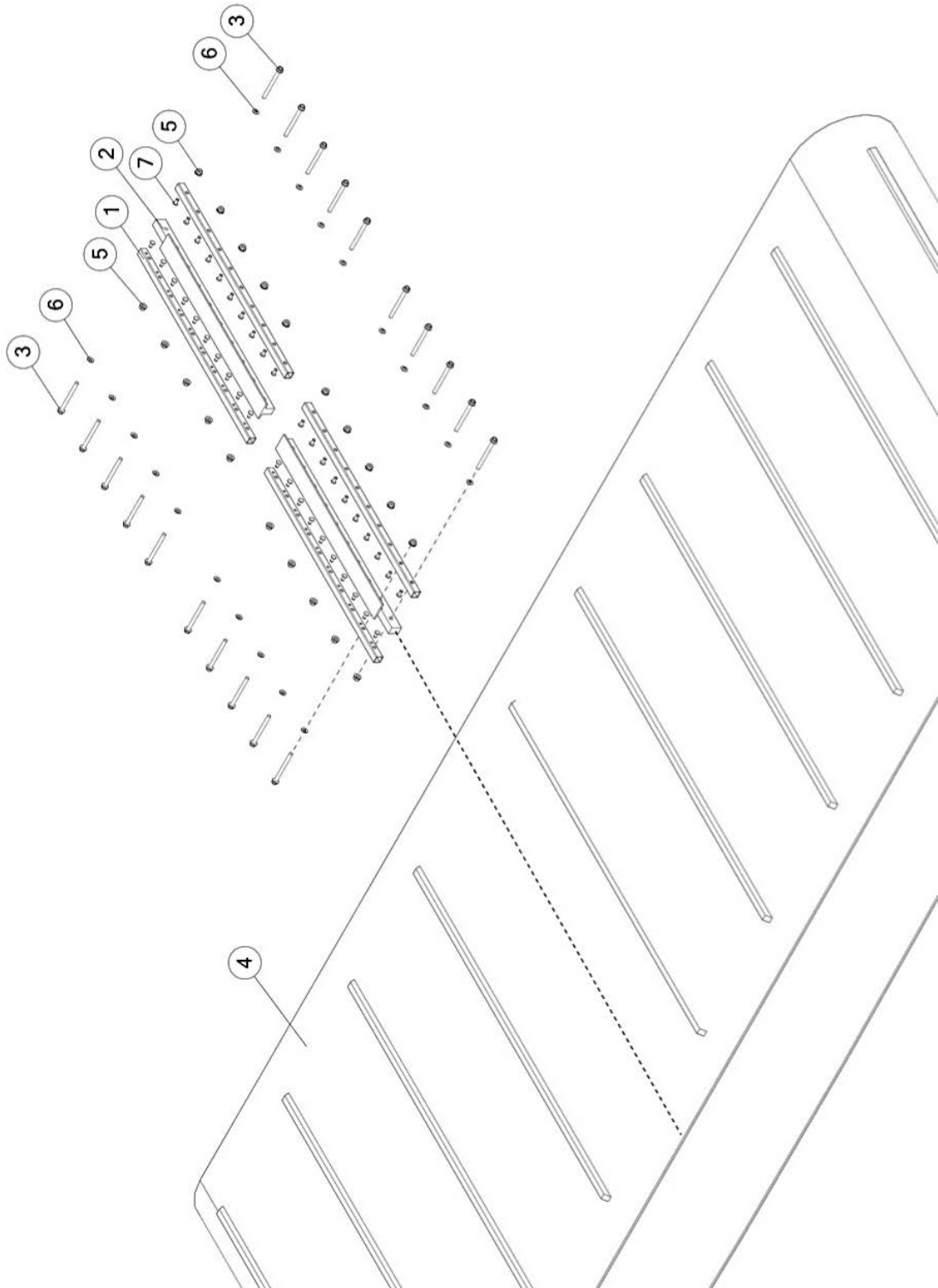


FIGURE 18

CONVEYOR BELT ASSEMBLY

<u>ITEM</u>	<u>QTY</u>		<u>PART #</u>	<u>DESCRIPTION</u>
	<u>30'</u>	<u>35'</u>		
1	4	"	SPMTU31	BELT CLAMP
2	2	"	SPMPL06	POLY WEAR STRIP
*	2	"	66288	POLY SPACERS
3	20	"	YBFB08050	1/4"-20 X 4" FLANGE BOLT GR.5
4	1	"	0225MS01	CONVEYOR BELT
5	20	"	YNSF08005	1/4"-20 SERRATED FLANGE NUT
6	20	"	YWCU08005	1/4" BELLVILLE WASHER, SS
7	40	"	8628	RIVET, 3/16" DIA X 3/8"
*	-----	-----	SPMAS05	BELT SPLICE KIT (INCLUDES TEMPLATE)
*	-----	-----	SPMAS04	BELT SPLICE KIT (NO TEMPLATE)

NOTE: " MEANS SAME AS PREVIOUS MODEL
 ----- MEANS NOT USED ON THIS MODEL
 * MEANS NOT SHOWN

FIGURE 19

RESERVOIR HYDRAULICS

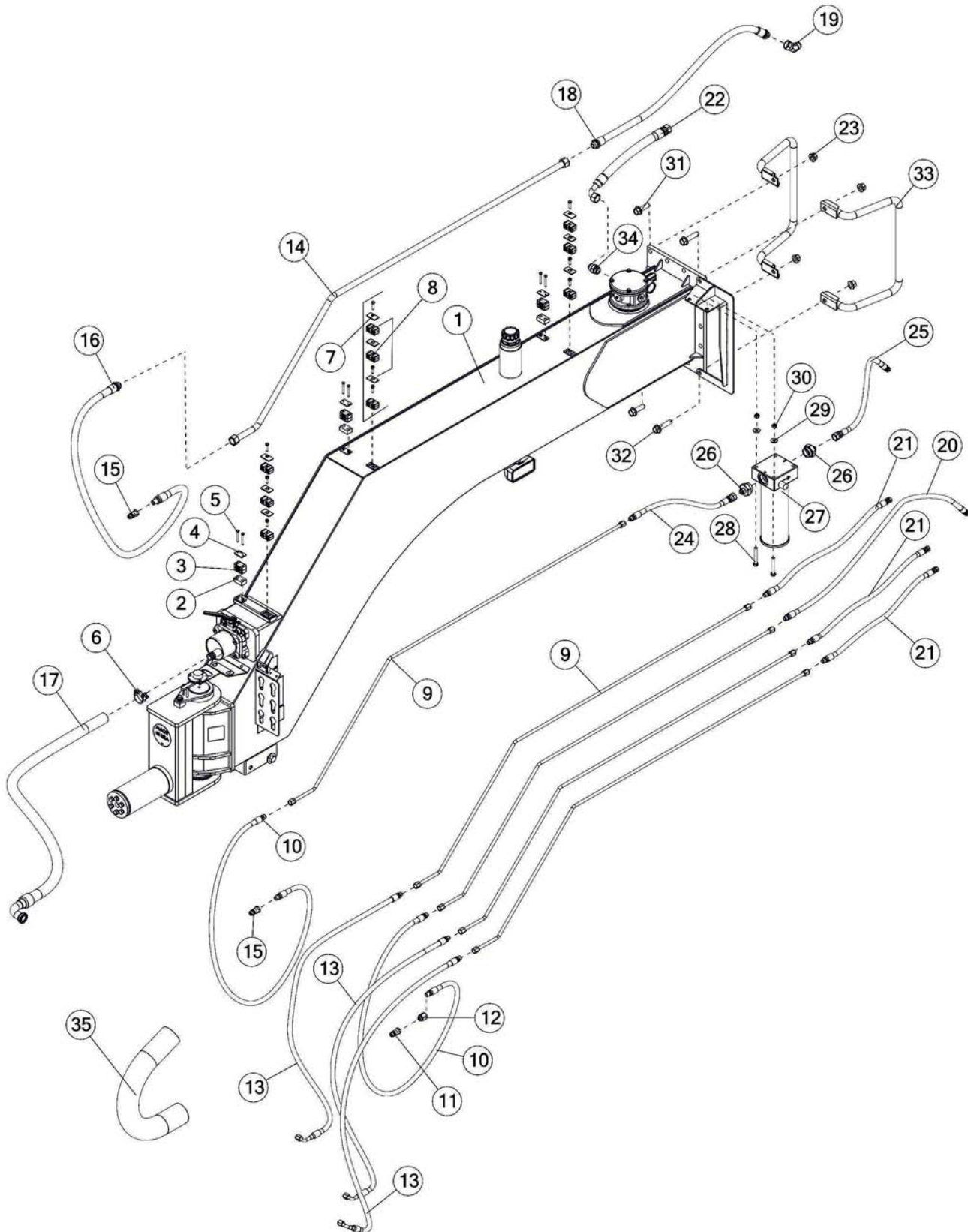


FIGURE 19

RESERVOIR HYDRAULICS

<u>QTY</u>				
<u>ITEM</u>	<u>30'</u>	<u>35'</u>	<u>PART #</u>	<u>DESCRIPTION</u>
1	1	"	PTMWE36	RESERVOIR
2	3	"	57213	SPACER
3	6	"	CHM286	1" TUBE CLAMP CUSHION
4	3	"	CHM283	TOP PLATE
5	6	"	YBHH08060	BOLT, 1/4 X 2-1/4 GR 5
6	1	"	DWM138	HOSE CLAMP, 1 1/4"
7	3	"	TFM91	1/2 LINE CLAMP ASSY
8	6	"	1099	1/2 LINE CLAMP DOUBLE STACK
9	5	"	PTMMS02	RESERVOIR LINE 1/2"
10	2	"	PTMMS75	HYD HOSE, FLOAT CIRCUIT RESERVOIR LINE
11	1	"	1025	MALE QUICK COUPLER
12	1	"	1029	1/2 NPT TO 1/2 ORB ADAPTER
13	3	"	PTMMS76	PUMP TO POLE
14	1	"	PTMMS59	POLE LINE 1"
15	2	"	DWM205	MALE QUICK COUPLER S71-4P SAFEWAY HYD TIP
16	1	"	PTMMS74	HOSE TRAC. POLE REAR AXLE
17	1	"	PTMMS77	HOSE POLE TO PUMP
18	1	"	PTMMS73	W-RAISE, TUBE-TUBE
19	1	"	CHM267	16 TO 12 ADAPTOR 45 DEG ~ 16-V6X-S
20	1	"	PTMMS71	P&R TO MAIN VALVE
21	2	"	PTMMS72	TOP BLOCK FRONT
22	1	"	PTMMS70	HOSE, FILTER RETURN
23	4	"	YNFG24006	3/4-10, TOP LOCK FLANGE NUT, IFI 100/107, GR. G, ZINC PLATED
24	1	"	59842	HOSE, FILTER IN
25	1	"	59849	HOSE, FILTER OUT
26	2	"	59646	STRAIGHT THREAD CONNECTOR
27	1	"	59474	FILTER PRESSURE
*	1	"	59992	FILTER ELEMENT
28	2	"	YBHH16115	BOLT, 1/2 X 3-1/2 GR 5
29	2	"	YWFL16005	WASHER, FLAT, 1/2 USS
30	2	"	YNTL16005	HEX NUT, TOP LOCK, 1/2-13
31	2	"	YBFB24005	BOLT, FLANGE, 3/4-10 X 2.5 GR.8
32	2	"	YBBH24062	3/4-10 x 3.25, HEX FLANGE SCREW, GR.8
33	2	"	PTMWE95	PTM-DEFLECTOR BUMPER
34	1	"	TFM23	STRAIGHT THREAD CONNECTOR
35	1	"	GM32	SPIRAL WRAP

NOTE: " MEANS SAME AS PREVIOUS MODEL

* MEANS NOT SHOWN

FIGURE 20
RIGHT SIDE CHASSIS COMPONENTS

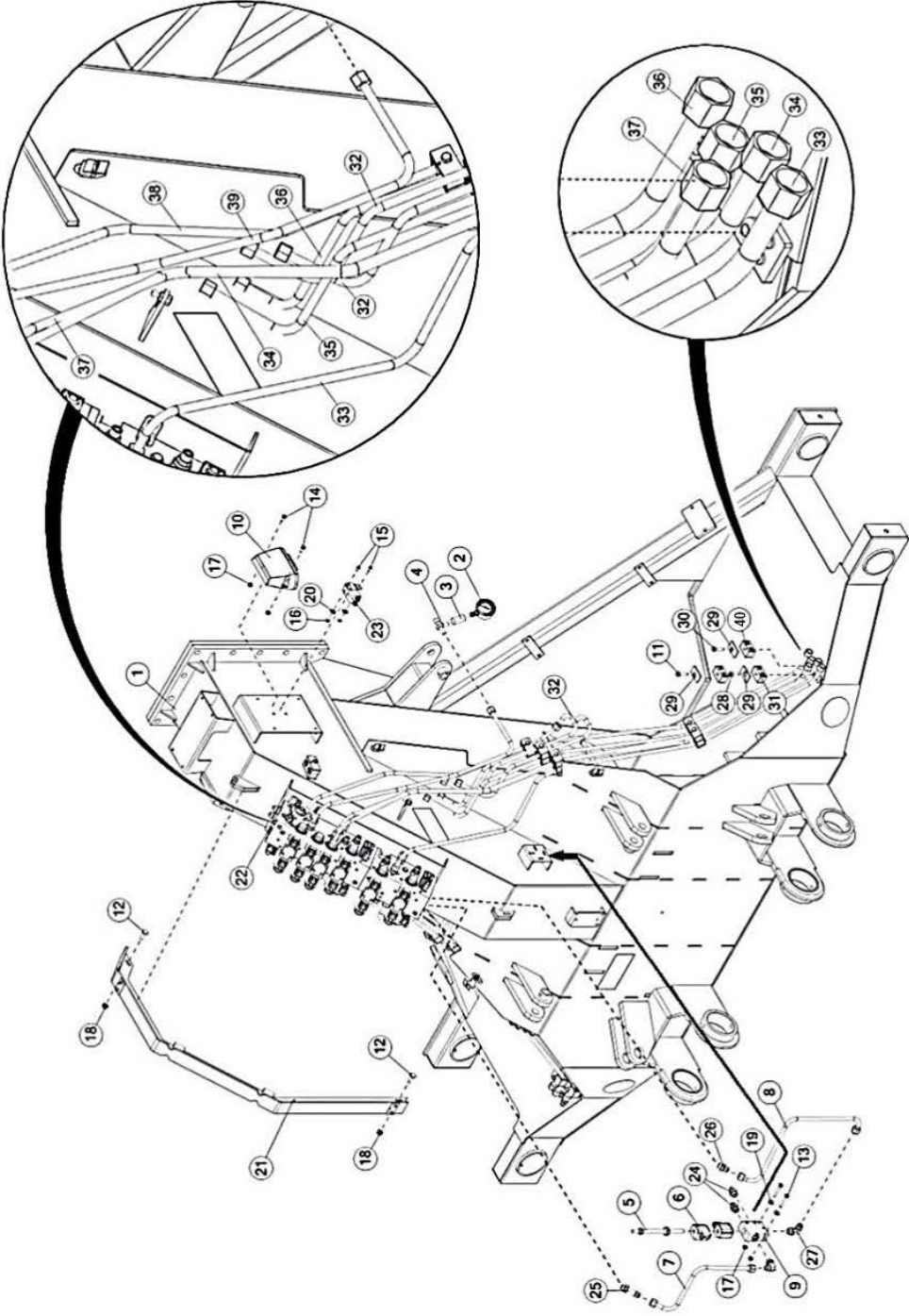


FIGURE 20

RIGHT SIDE CHASSIS COMPONENTS

	<u>QTY</u>			
<u>ITEM</u>	<u>30'</u>	<u>35'</u>	<u>PART #</u>	<u>DESCRIPTION</u>
1	1	"	PTMWE10	FRAME ASSY
2	1	"	61385	0-3000 PSI PRESSURE GAUGE
3	1	"	63333	1/2" TO 3/8"-18 SWIVEL CONNECTOR
4	1	"	63336	SWIVEL RUN NUT TEE
5	1	"	TFM75	CARTRIDGE
6	2	"	TRM74	12 VDC COIL
7	1	"	PTMMS42	PRESSURE LINE (PORT P BACK) STEERING
8	1	"	PTMMS43	RETURN LINE (PORT T BACK)
9	1	"	TRM73	STEERING VALVE BLOCK
*	1	"	TFM103	STEERING VALVE COMPLETE
10	1	"	TFM58	SLAVE CONTROL MODULE
11	4	"	56568	CLAMP BOLT
12	2	"	YBCR12020	CARR. BOLT, 3/8" X 1-1/4" GR 5
13	2	"	YBHH08045	BOLT, 1/4" X 2" GR 5
14	2	"	YBHH08100	BOLT, 1/4" X 3/4" GR 5
15	2	"	YSPP64005	PHILLIPS PAN HEAD TYPE, 10-32 X 1/2"
16	2	"	YNHX64010	#10-24 HEX NUT, ZINC
17	4	"	YNSF08005	1/4"-20 SERRATED FLANGE NUT
18	2	"	YNSF12005	3/8"-16, SERRATED HEX FLANGE NUT
19	2	"	YWFL08005	WASHER, FLAT, 1/4" USS
20	2	"	YWSI64005	WASHER, LOCK STAR INTERNAL/EXRERNAL,#10
21	1	"	PTMWE61	SHIELD HING ASSEMBLY
22	1	"	PTMAS62	MAIN VALVE WITH FITTINGS
23	1	"	TFM101	12V CONTACTOR
24	2	"	CHM207	3/8" X 3/4" 16 ORB STRAIGHT FITTING STRAIGHT
25	1	"	TFM107	THREAD CONNECTOR LONG STRAIGHT THREAD
26	1	"	TFM38	CONNECTOR
27	1	"	TS135	8-C5OX-S FITTING
28	4	"	56513	CLAMP STACKING BOLT
29	8	"	56563	CLAMP TOP PLATE
30	3	"	56568	CLAMP BOLT
31	8	"	TS118	LINE CLAMP BLOCK
32	2	"	PTMMS29	CENTER HEAD PICKUP PRESSURE /RETURN
33	1	"	PTMMS33	LINE HEAD HIGHT RETURN LINE (PORT D)
34	1	"	PTMMS28	RIGHT FOLD ROD END LINE (PORT GB)
35	1	"	PTMMS69	RIGHT HEAD PRESSURE LINE
36	1	"	PTMMS27	RIGHT HEAD RETURN LINE
37	1	"	PTMMS26	RIGHT FOLD BASE END LINE (PORT GA)
38	1	"	PTMMS300	RIGHT FLOAT RETURN LINE (PORT K)
39	1	"	PTMMS31	RIGHT FLOAT PRESSURE LINE (PORT J)
40	3	"	63332	LINE CLAMP BLOCK

NOTE: " MEANS SAME AS PREVIOUS MODEL

FIGURE 21
LEFT SIDE CHASSIS COMPONENTS

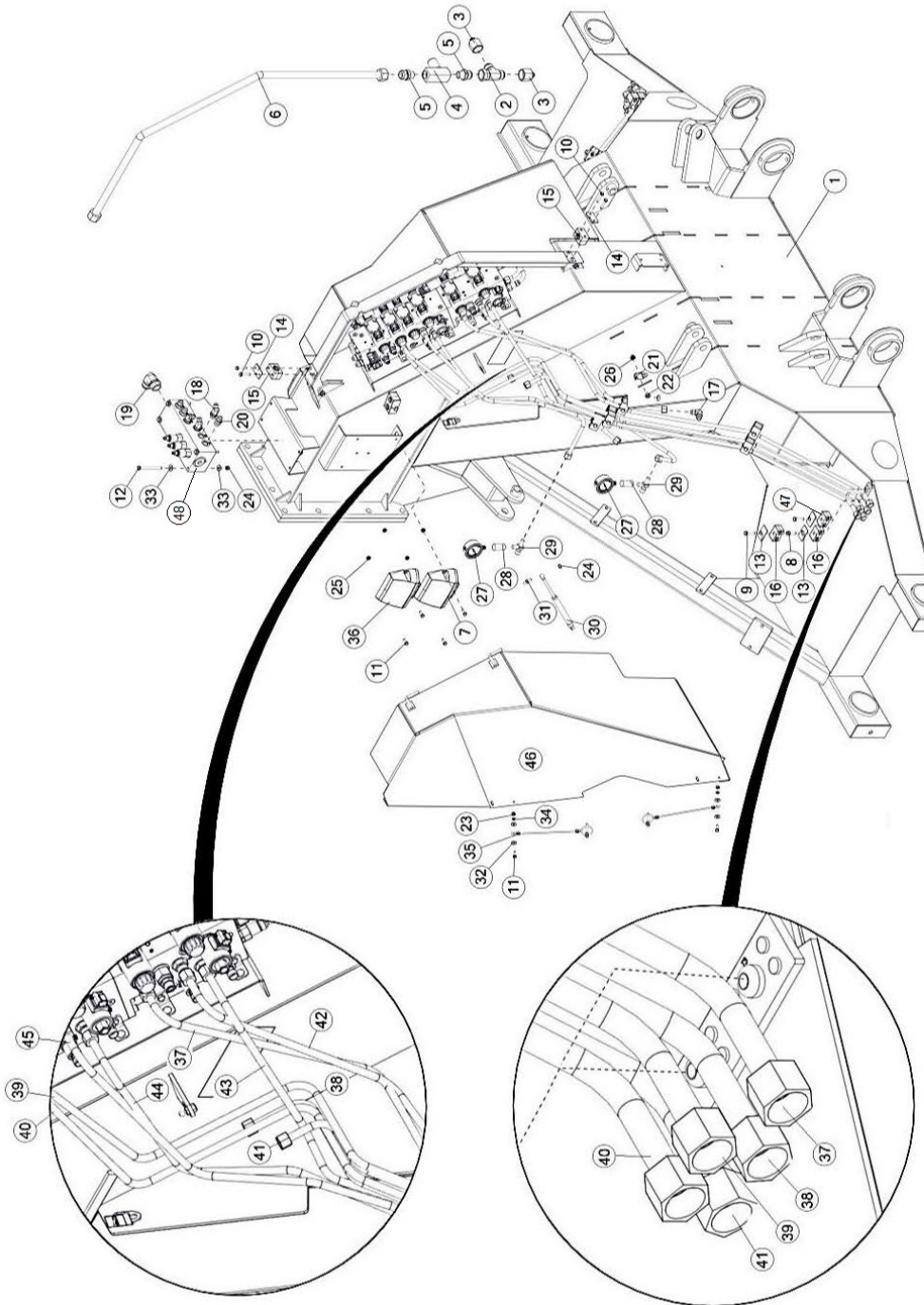


FIGURE 21

LEFT SIDE CHASSIS COMPONENTS

<u>ITEM</u>	<u>QTY</u>		<u>PART #</u>	<u>DESCRIPTION</u>
	<u>30'</u>	<u>35'</u>		
1	1	"	PTMWE10	FRAME ASSY
2	1	"	CHM182	SWIVEL NUT RUN TEE
3	2	"	TFM67	REDUCER
4	1	"	TFM79	F1200S/1A865 NEEDLE VALVE PARKER
5	2	"	TFM80	NPTF/37 FLARE
6	1	"	PTMMS18	REAR LIFT LINE
7	1	"	TFM58	SLAVE MODULE
8	3	"	56513	CLAMP STACKING BOLT
9	8	"	56568	CLAMP BOLT
10	4	"	YBHH08025	BOLT, 1/4" X 1-1/2" GR 5
11	6	"	YBHH08100	BOLT, 1/4" X 3-3/4" GR 5
12	4	"	YBHH10112	BOLT, 5/16"-18 X 3-3/4" GR5
13	9	"	56563	CLAMP TOP PLATE
14	2	"	CHM283	TOP PLATE
15	2	"	CHM286	1" TUBE CLAMP CUSHIONS
16	8	"	TS118	LINE CLAMP BLOCK
17	1	"	1142	UNION ELBOW 90 DEGREE, 8ETX-S
18	1	"	8012	45 DEGREE STR THREAD ELBOW
19	1	"	BBS52	STRAIGHT THREAD ELBOW
20	1	"	TFM38	SERRATED THREAD CONNECTOR
21	2	"	PTM10G48	SHEILD CLIP
22	1	"	YBCR10003	5/16"-18, X 5/8", CARRIAGE BOLT
23	2	"	YNHX08005	HEX NUT, 1/4"

NOTE: " MEANS SAME AS PREVIOUS MODEL

FIGURE 21

LEFT SIDE CHASSIS COMPONENTS

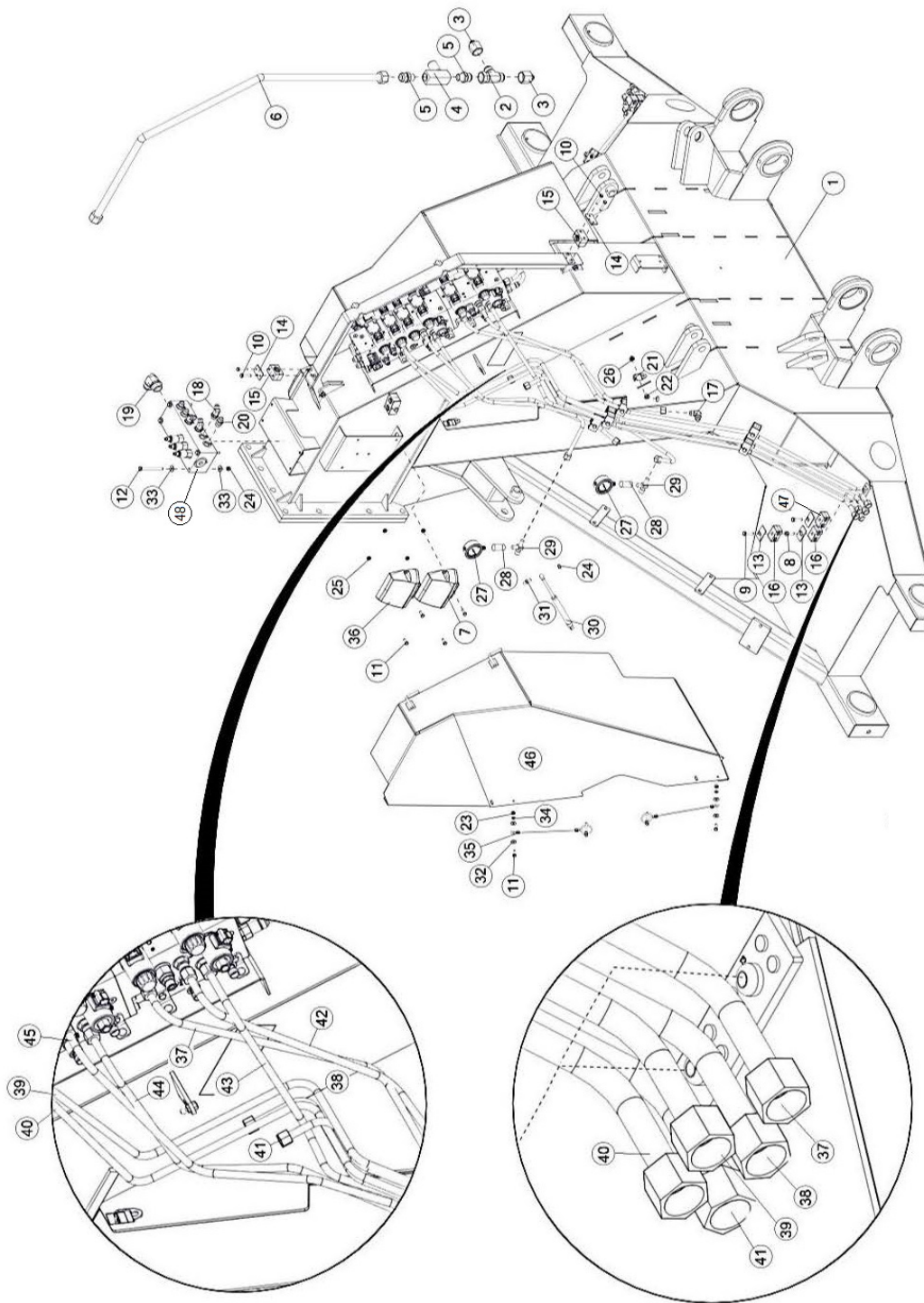


FIGURE 21

LEFT SIDE CHASSIS COMPONENTS

<u>QTY</u>				
<u>ITEM</u>	<u>30'</u>	<u>35'</u>	<u>PART #</u>	<u>DESCRIPTION</u>
24	5	"	YNHX10010	HEX NUT, 5/16"-18 GR 5
25	4	"	YNSF08005	1/4"-20, SERRATED FLANGE NUT
26	2	"	YNSF10005	5-16"-18, SERRATED HEX FLANGE NUT
27	2	"	61385	0-3000 PSI PRESSURE GAUGE
28	2	"	63333	1/2" TO 3/8"-18 SWIVEL CONNECTOR
29	2	"	63336	SWIVEL RUN NUT TEE
30	1	"	PTMAS38	GAS SPRING WITH SOCKETS
31	1	"	TFM78	BALL STUD
32	4	"	YWFL08005	WASHER, FLAT, 1/4" USS
33	8	"	YWFL10005	WASHER, FLAT, 5/16" USS
34	2	"	YWLO08005	WASHER, LOCK, 1/4"
35	2	"	S122	LANYARD, CLIP PIN CABLE
36	1	"	TFM57	MASTER CONTROL MODULE
37	1	"	PTMMS37	HEAD HEIGHT PRESSURE LINE (PORT C)
38	1	"	PTMMS67	LEFT HEAD PRESSURE LINE (PORT E)
39	1	"	PTMMS39	LEFT FOLD BASE END LINE (PORT HB)
40	1	"	PTMMS38	LEFT FOLD ROD END LINE (PORT HA)
41	1	"	PTMMS68	LEFT HEAD RETURN LINE
42	1	"	PTMMS40	CENTER FLOAT RETURE LINE (PORT B)
43	1	"	PTMMS34	CENTER FLOAT PRESSURE LINE (PORT A)
*	1	"	PTMMS118	HYD HOSE-RELIEF MANIFOLD (PORT M1) TO LEFT PICKUP RETURN
*	5	"	PTMMS119	HYD HOSE-RELIEF MANIFOLD TO PICKUP PRESSURE & RETURN
44	1	"	PTMMS36	LEFT FLOAT RETURN LINE (PORT F)
45	1	"	PTMMS35	LEFT FLOAT PRESSURE LINE
46	1	"	PTMWE54	SHIELD, LEFT
47	3	"	63332	LINE CLAMP BLOCK
48	1	"	TFM61	RELEIF MANIFOLD

NOTE: " MEANS SAME AS PREVIOUS MODEL

* MEANS NOT SHOWN

FIGURE 22

MAIN VALVE

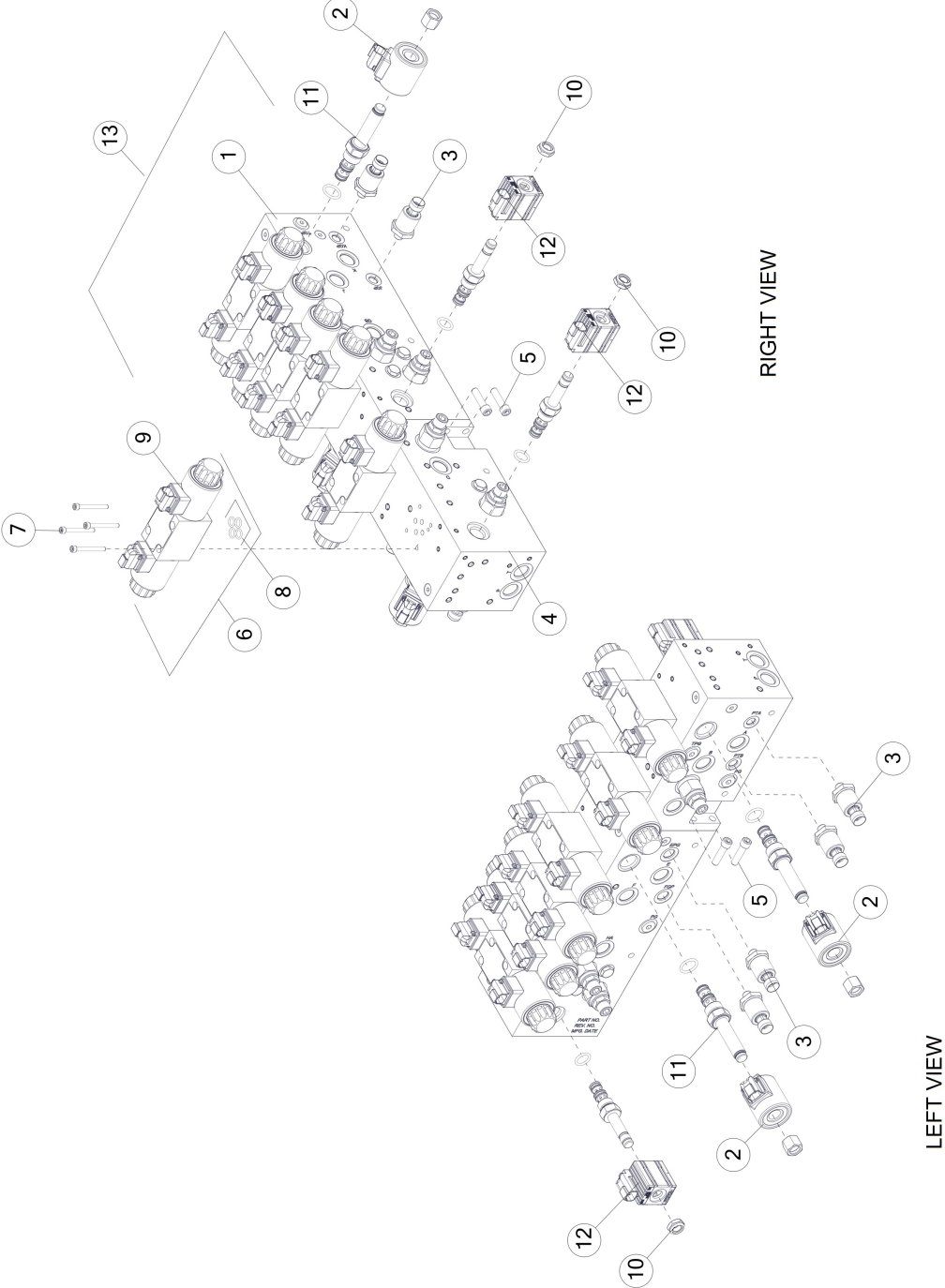


FIGURE 22

MAIN VALVE

<u>ITEM</u>	<u>QTY</u>		<u>PART #</u>	<u>DESCRIPTION</u>
	<u>30'</u>	<u>35'</u>		
1	1	"	8052	FRONT MAIN VALVE BODY
2	3	"	8047	20 WATT PROPORTIONAL COIL
3	6	"	8051	7500 PSI PRESSURE TRANSDUCER
4	1	"	8053	REAR MAIN VALVE BODY
5	4	"	YSHS10010	SOCKET HEAD CAP SCREW, 5/16"-18 X 1-1/4"
*	1	"	8049	MAIN VALVE SEAL KIT (NOT SHOWN)
6	6	"	8044	DIRECTIONAL VALVE (COMPLETE)
7	24	"	YSHS64011	SOCKET HEAD CAP SCREW, #10-24 X 1-3/4"
8	6	"	8046	DIRECTIONAL VALVE SEAL KIT
9	12	"	8042	DIRECTIONAL 1.65 AMP COIL
10	2	"	8050	COUNTER BALANCE DISABLE CARTRIDGE
11	3	"	8048	PROPORTIONAL CARTRIDGE
12	2	"	8043	14 WATT COIL (COUNTER BALANCE DISABLE)
13	1	"	TFM62	VALVE (COMPLETE)
*	1	"	58801	SEAL KIT, SHUTTLE VALVE - CS041B

NOTE: " MEANS SAME AS PREVIOUS MODEL
 * MEANS NOT SHOWN

FIGURE 23

PICKUP HYDRAULICS

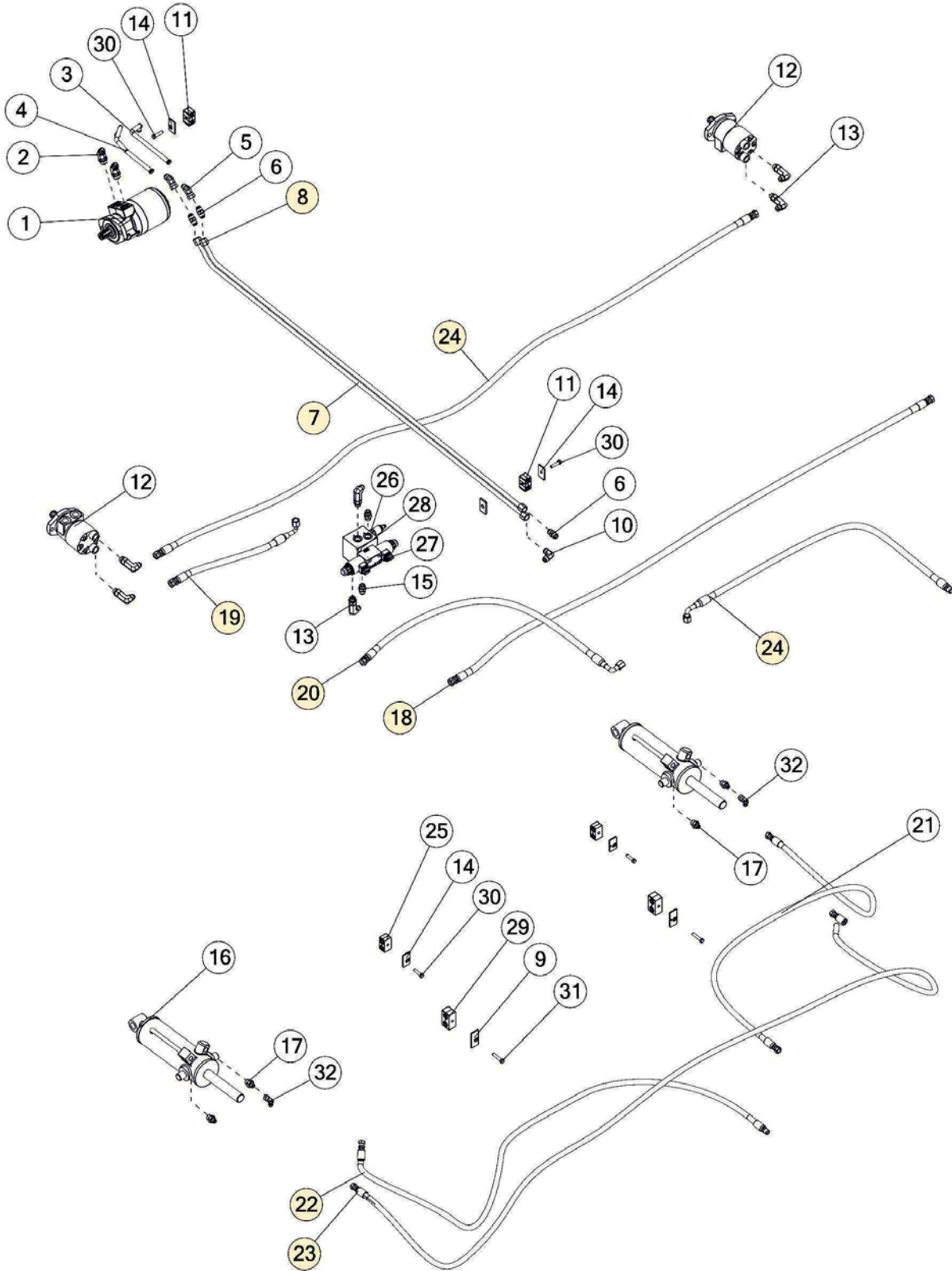


FIGURE 23

PICKUP HYDRAULICS

<u>ITEM</u>	<u>QTY</u>		<u>PART #</u>	<u>DESCRIPTION</u>
	<u>30'</u>	<u>35'</u>		
1	1	"	59145	PICKUP MOTOR
*	A/R	"	8661	PICKUP MOTOR SEAL KIT
2	2	"	GM29	STRAIGHT THREAD 45 DEG ELBOW
3	1	"	0209MS01	UPPER CAM LINE
4	1	"	0209MS06	LOWER CAM LINE
5	2	"	TFM40	45° UNION
6	3	"	GM17	ADAPTER HTX-S
7	1	"	0209MS02	BOTTOM LINE
8	1	"	0209MS03	TOP LINE
9	2	"	56564	3/8 TWO HOSE CLAMP
10	1	"	1142	UNION ELBOW 90°
11	2	"	TS118	1/2" HOSE CLAMP
12	2	"	TFM46	CROSS CONVEYOR MOTOR
*	A/R	"	8662	CROSS CONVEYOR MOTOR SEAL KIT
13	6	"	TFM47	LONG STR THREAD ELBOW
14	4	"	56563	CLAMP TOP PLATE
15	2	"	TFM38	STRAIGHT THREAD CONNECTOR
16	2	"	56358	SKID CYLINDER
*	A/R	"	8232	SKID CYLINDER SEAL KIT
17	4	"	56359	FITTING, HYDRAULIC, 8-ORB TO 6-JIC ADAPTER
18	----	1	PTMMS87	HYD HOSE-VALVE B TO RIGHT MOTOR B
*	1	----	PTMMS99	HYD HOSE-VALVE B TO RIGHT MOTOR B
*	----	1	PTMMS88	HYD HOSE-VALVE B TO RIGHT MOTOR B (RIGHT HEAD ONLY)
*	1	----	PTMMS100	HYD HOSE-VALVE B TO RIGHT MOTOR B (RIGHT HEAD ONLY)
19	----	1	PTMMS85	HYD HOSE-LEFT MOTOR A TO VALVE A

NOTE: " MEANS SAME AS PREVIOUS MODEL

---- MEANS NOT USED ON THIS MODEL

*** MEANS NOT SHOWN**

A/R: MEANS AS REQUIRED

FIGURE 23 PICKUP HYDRAULICS

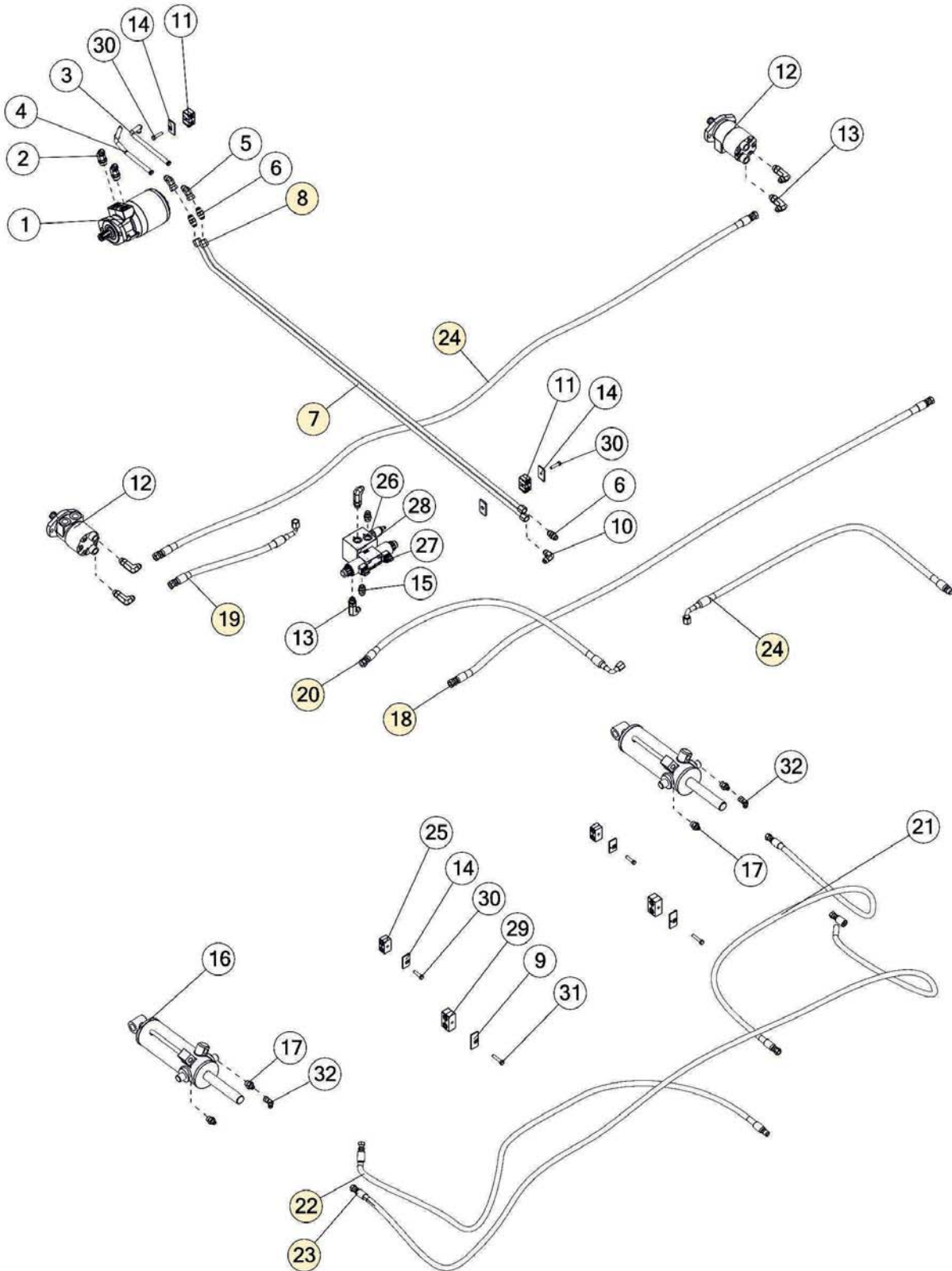


FIGURE 23

PICKUP HYDRAULICS

<u>ITEM</u>	<u>QTY</u>		<u>PART #</u>	<u>DESCRIPTION</u>
	<u>30'</u>	<u>35'</u>		
*	1	---	PTMMS97	HYD HOSE-LEFT MOTOR A TO VALVE A
*	---	1	PTMMS86	HYD HOSE-LEFT MOTOR A TO VALVE A (RIGHT HEAD ONLY)
*	1	---	PTMMS98	HYD HOSE-LEFT MOTOR A TO VALVE A (RIGHT HEAD ONLY)
20	---	1	PTMMS109	HYD HOSE-VALVE P TO PICKUP RETURN LINE
*	1	---	PTMMS109	HYD HOSE-VALVE P TO PICKUP RETURN LINE
21	---	1	56484	HYD HOSE-RT SKID SHOE CYL ROD TO FRAME
*	1	---	56487	HYD HOSE-RT SKID SHOE CYL ROD TO FRAME
22	---	1	56485	HYD HOSE-LT SKID SHOE CYL BASE TO FRAME
*	1	---	56488	HYD HOSE-LT SKID SHOE CYL BASE TO FRAME
23	---	1	56486	HYD HOSE-LEFT SKID SHOE CYL ROD TO RIGHT SKIDSHOE CYL BASE
*	1	---	56489	HYD HOSE-LEFT SKID SHOE CYL ROD TO RIGHT SKIDSHOE CYL BASE
24	---	1	PTMMS84	HYD HOSE-LEFT MOTOR B TO RIGHT MOTOR A
*	1	---	PTMMS96	HYD HOSE-LEFT MOTOR B TO RIGHT MOTOR A
*	---	1	PTMMS89	HYD HOSE-VALVE T TO BASE MACHINE TUBELINE
*	1	---	PTMMS101	HYD HOSE-VALVE T TO BASE MACHINE TUBELINE
*	---	1	PTMMS108	HYD HOSE-VALVE T TO BASE MACHINE TUBELINE (CENTER HEAD ONLY)
*	1	---	PTMMS108	HYD HOSE-VALVE T TO BASE MACHINE TUBELINE (CENTER HEAD ONLY)
*	---	1	PTMMS90	HYD HOSE-PICKUP HEAD PRESSURE TO BASE MACHINE
*	1	---	PTMMS102	HYD HOSE-PICKUP HEAD PRESSURE TO BASE MACHINE
*	---	1	PTMMS107	HYD HOSE-PICKUP HEAD PRESSURE TO BASE MACHINE (CENTER HEAD ONLY)
*	1	---	PTMMS107	HYD HOSE-PICKUP HEAD PRESSURE TO BASE MACHINE (CENTER HEAD ONLY)
*	---	1	PTMMS82	HYD HOSE-HEAD HEIGHT TUBELINES TO OUTSIDE HEADS
*	1	---	PTMMS94	HYD HOSE-HEAD HEIGHT TUBELINES TO OUTSIDE HEADS
*	---	1	PTMMS83	HYD HOSE-OUTSIDE SKID SHOE TO CENTER SKID SHOE
*	1	---	PTMMS95	HYD HOSE-OUTSIDE SKID SHOE TO CENTER SKID SHOE
25	2	"	CHM278	3/8" TWO LINE CLAMP BLOCK
26	A/R	"	8564	RELIEF CARTRIDGE
27	A/R	"	8561	DIRECTIONAL VALVE
28	A/R	"	8565	MANIFOLD, DIRECTIONAL CONTROL VALVE
29	2	"	56596	CLAMP CUSHION
30	3	"	56568	CLAMP BOLT
31	2	"	56569	CLAMP BOLT
32	6	"	60062	FITTING, SWIVEL NUT ELBOW, 3/8"

NOTE: " MEANS SAME AS PREVIOUS MODEL

--- MEANS NOT USED ON THIS MODEL

*** MEANS NOT SHOWN**

A/R: MEANS AS REQUIRED

FIGURE 24

ACCUMULATORS & GREASE SYSTEM

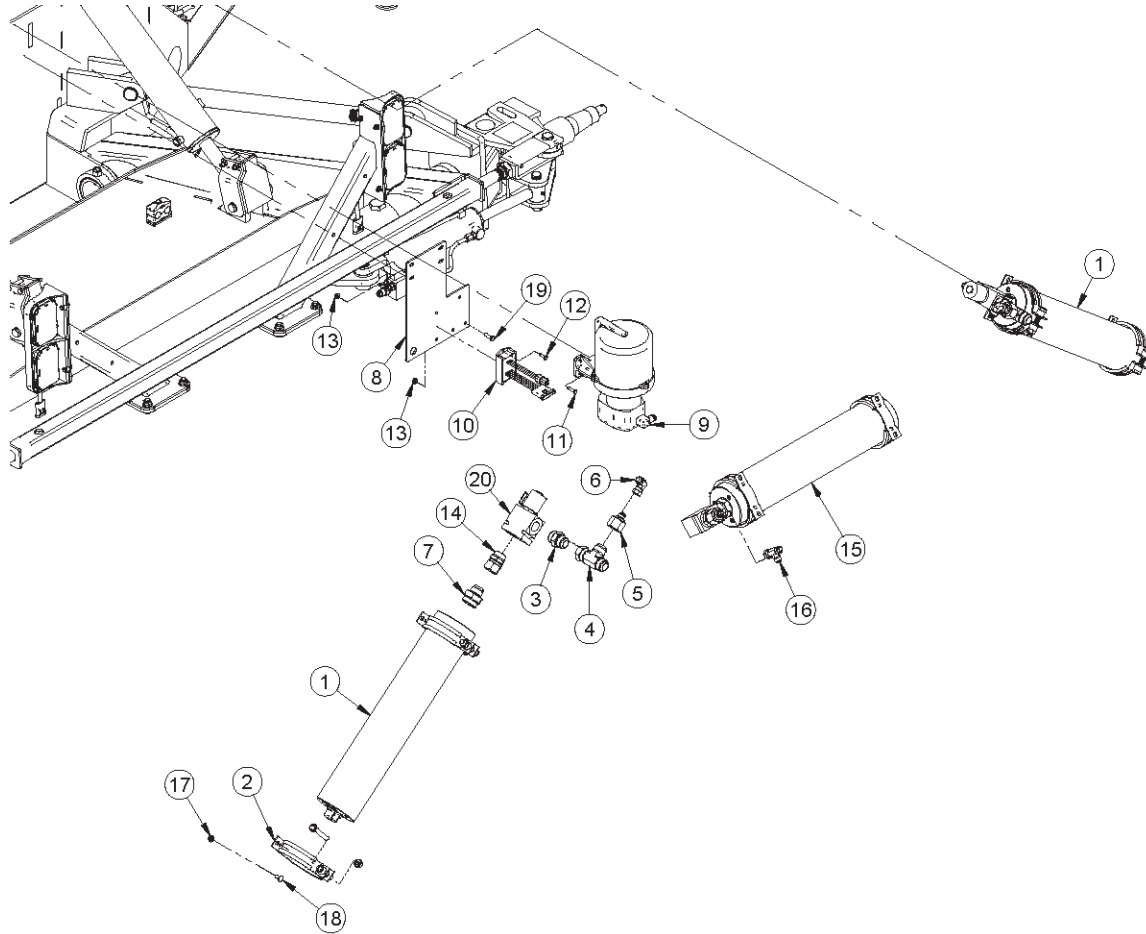


FIGURE 24

ACCUMULATORS & GREASE SYSTEM

<u>QTY</u>				
<u>ITEM</u>	<u>30'</u>	<u>35'</u>	<u>PART #</u>	<u>DESCRIPTION</u>
1	—	2	TFM59	WING ACCUMULATOR
*	2	—	TFM85	WING ACCUMULATOR
2	6	"	TFM60	ACCUMULATOR CLAMP ASSY
3	3	"	TFM23	STRAIGHT THREAD CONNECTOR
4	2	"	CHM182	SWIVEL NUT RUN TEE
5	3	"	TFM67	REDUCER
6	2	"	TFM83	90° ELBOW
7	3	"	8008	STRAIGHT THREAD ADAPTER
8	1	"	PTM6G40	POWER LUBE ADAPTER PANEL
9	1	"	TFM95	POWER LUBE ASSEMBLY
*	1	"	56117	GREASE SYSTEM ELECTRICAL HARNESS
*	2	"	8649	GREASE LINE PUSH IN UNION
*	A/R	"	8256	4 MM POWER LUBE BULK GREASE LINE 4.5 m (15')
*	A/R	"	8257	POWER LUBE FITTING, 90°, 5/32 OD X 1/4 UNF
*	A/R	"	8258	POWER LUBE FITTING, STRAIGHT, 5/32 OD X 5/16 UNF
*	A/R	"	8259	POWER LUBE FITTING, 90°, 5/32 OD X 1/8 NPT
*	A/R	"	54573	POWER LUBE FITTING, STRAIGHT, 5/32 OD X M6 X 1
*	A/R	"	54572	POWER LUBE FITTING, STRAIGHT, 5/32 OD X 1/4 UNF
10	1	"	TFM96	LED FLASHER MODULE
11	4	"	YBHH08010	HEX BOLT 1/4"-20 X 1" GR. 5
12	2	"	YBHH08100	HEX BOLT 1/4"-20 x 3/4" GR. 5
13	5	"	YNSF08005	SERRATED FLANGE HEX NUT 1/4-20
14	3	"	TFM81	STRAIGHT THREAD CONNECTOR SWIVEL
15	—	1	TFM84	CENTER ACCUMULATOR
*	1	—	TFM86	CENTER ACCUMULATOR
16	1	"	TFM82	SWIVEL RUN TEE
17	15	"	YNSF10005	SERRATED FLANGE HEX NUT 5/16-18
18	12	"	YBCR10030	CARR. BOLT, 5/16"-18 X 3/4" GR 5
19	3	"	YBHH10010	HEX BOLT, 5/16"-18 X 1" GR 5
20	3	"	TFM76	ACCUMULATOR SHUT-OFF VALVE
*	3	"	8586	ACCUMULATOR SHUT-OFF COIL

NOTE: " MEANS SAME AS PREVIOUS MODEL

— MEANS NOT USED ON THIS MODEL

*** MEANS NOT SHOWN**

A/R: MEANS AS REQUIRED

FIGURE 25

SKID SHOE LINKAGE

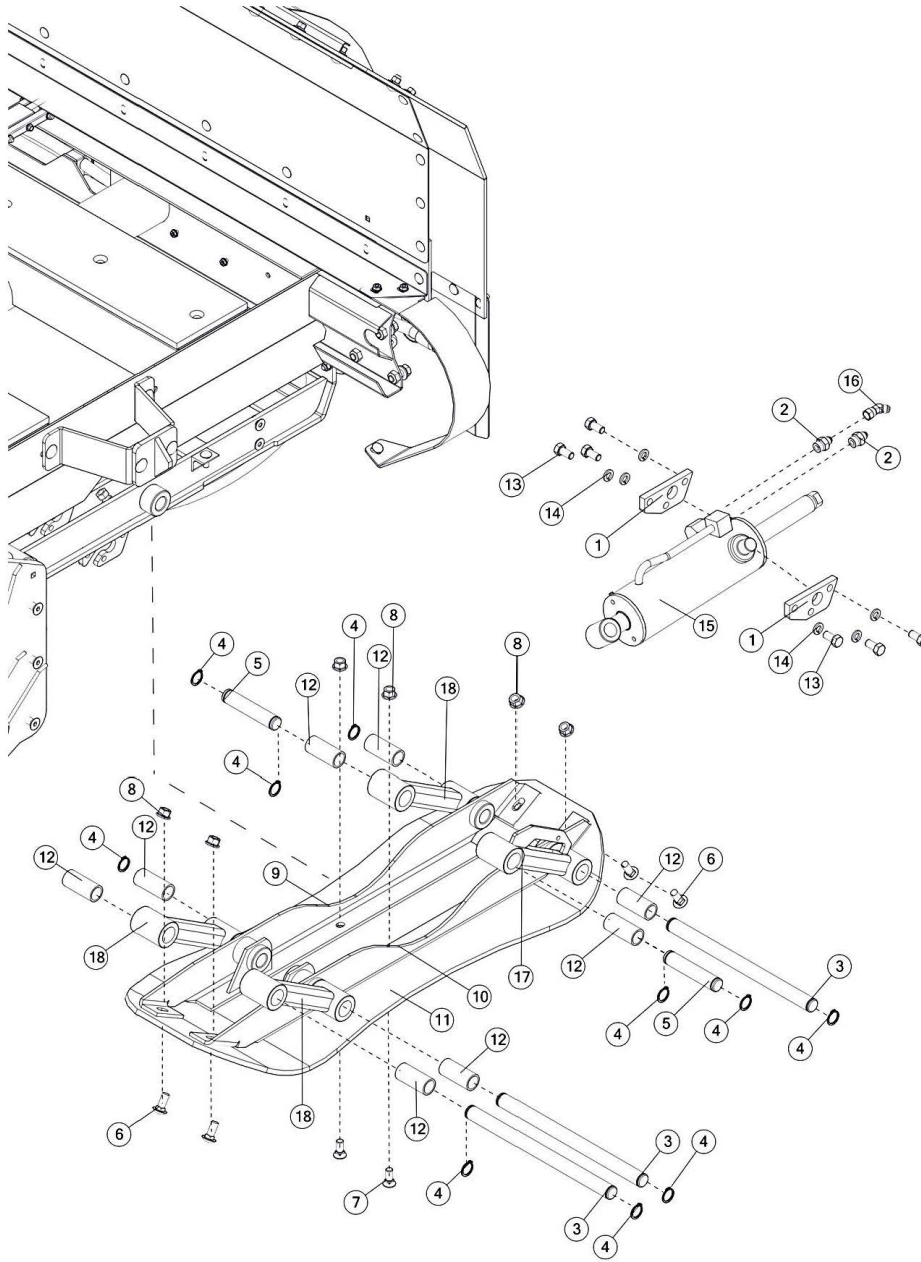


FIGURE 25

SKID SHOE LINKAGE

<u>ITEM</u>	<u>QTY</u>		<u>PART #</u>	<u>DESCRIPTION</u>
	<u>30'</u>	<u>35'</u>		
1	2	"	57435	TRUNNION PLATE
2	12	"	CHM207	3/8 X 3/4 16 ORB STRAIGHT FITTING
3	18	"	57468	SKID PIN
4	60	"	3G21	SNAP RING
5	12	"	57469	SKID PIN - SHORT
6	24	"	YBCR16015	CARR. BOLT, 1/2 X 1-1/4 GR 5
7	12	"	YBPL16010	BOLT, PLOW, 1/2-13X1.25, GR.5 ZINC
8	36	"	YNFG16005	HEX NUT, FLANGED-LOCK, 1/2-13 GRADE F (ZINC)
9	6	"	63369	RIGHT SKID SHOE GUSSET
10	6	"	63370	LEFT SKID SHOE GUSSET
11	6	"	0209HF11	SKID SHOE
12	64	"	53545	SKID SHOE LINK BUSHING
13	36	"	YBHH16010	BOLT, 1/2 X 1 GR 5
14	36	"	YWLO16005	WASHER, LOCK, 1/2
15	6	"	56358	SKID CYLINDER
16	6	"	60062	FITTING, SWIVEL NUT ELBOW, 3/8
17	1	"	PTM-WE-72	SKID LINK GAGE
18	23	"	SPMWE18	SKID LINK

NOTE: " MEANS SAME AS PREVIOUS MODEL

FIGURE 26
SPEED INCREASER GEARBOX

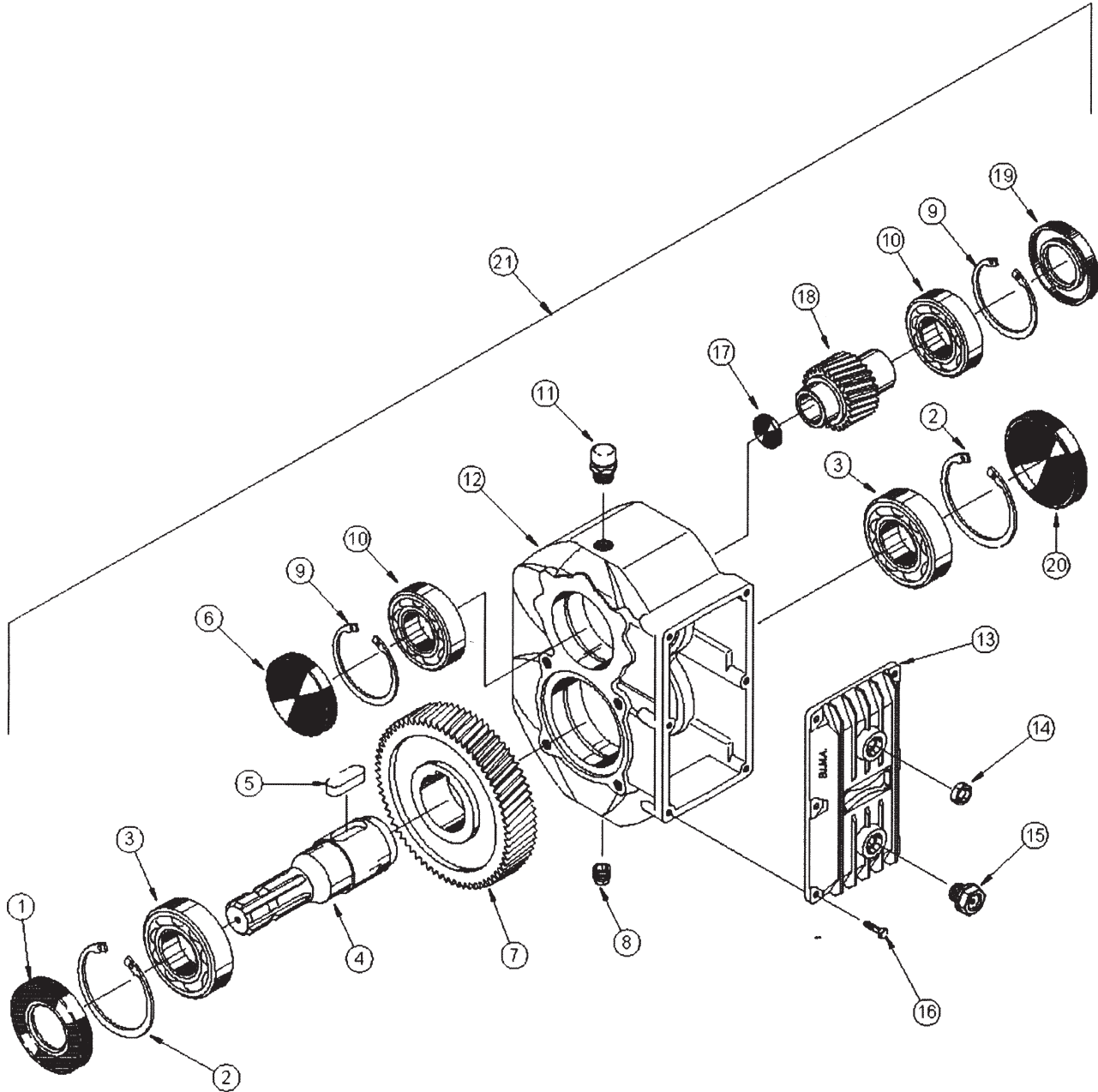


FIGURE 26

SPEED INCREASER GEARBOX

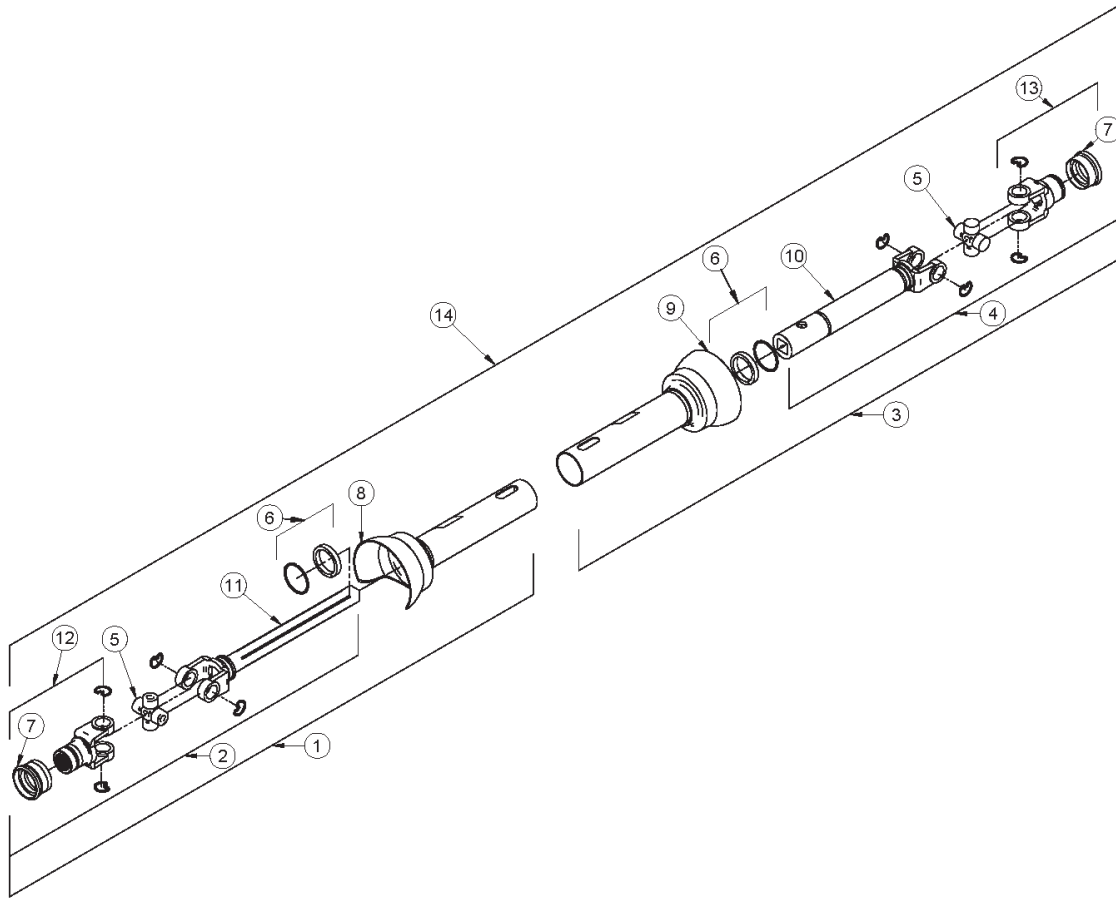
<u>QTY</u>			<u>PART #</u>	<u>DESCRIPTION</u>
<u>ITEM</u>	<u>30'</u>	<u>35'</u>		
1	1	"	8520	OIL SEAL, 50mm X90mm X 10mm
2	2	"	8521	SNAP RING, 90mm
3	2	"	8522	BEARING
4	1	"	8523	DRIVE SHAFT
5	1	"	8524	KEY, 16 mm X 10 mm X 40 mm
6	1	"	8525	PLUG
7	1	"	8526	DRIVER GEAR
8	1	"	8527	DRAIN PLUG, 3/8" NPTF
9	2	"	8528	SNAP RING, 80 mm
10	2	"	8529	BEARING
11	1	"	8530	VENT PLUG, 3/8" NPTF
12	1	"	8531	HOUSING
13	1	"	8532	COVER
14	1	"	8533	PLUG
15	1	"	8534	SIGHT GAGE, 1/2" NPTF
16	6	"	8535	SCREW, M6 X 16 UNI 5739
17	1	"	8536	PLUG
18	1	"	8537	DRIVEN GEAR
19	1	"	8538	OIL SEAL, 35mm X 80mm X 10mm
20	1	"	8539	PLUG
21	A/R	"	TFM15	SPEED INCREASER (COMPLETE)

NOTE: " MEANS SAME AS PREVIOUS MODEL

A/R: MEANS AS REQUIRED

FIGURE 27

PTO ASSEMBLY

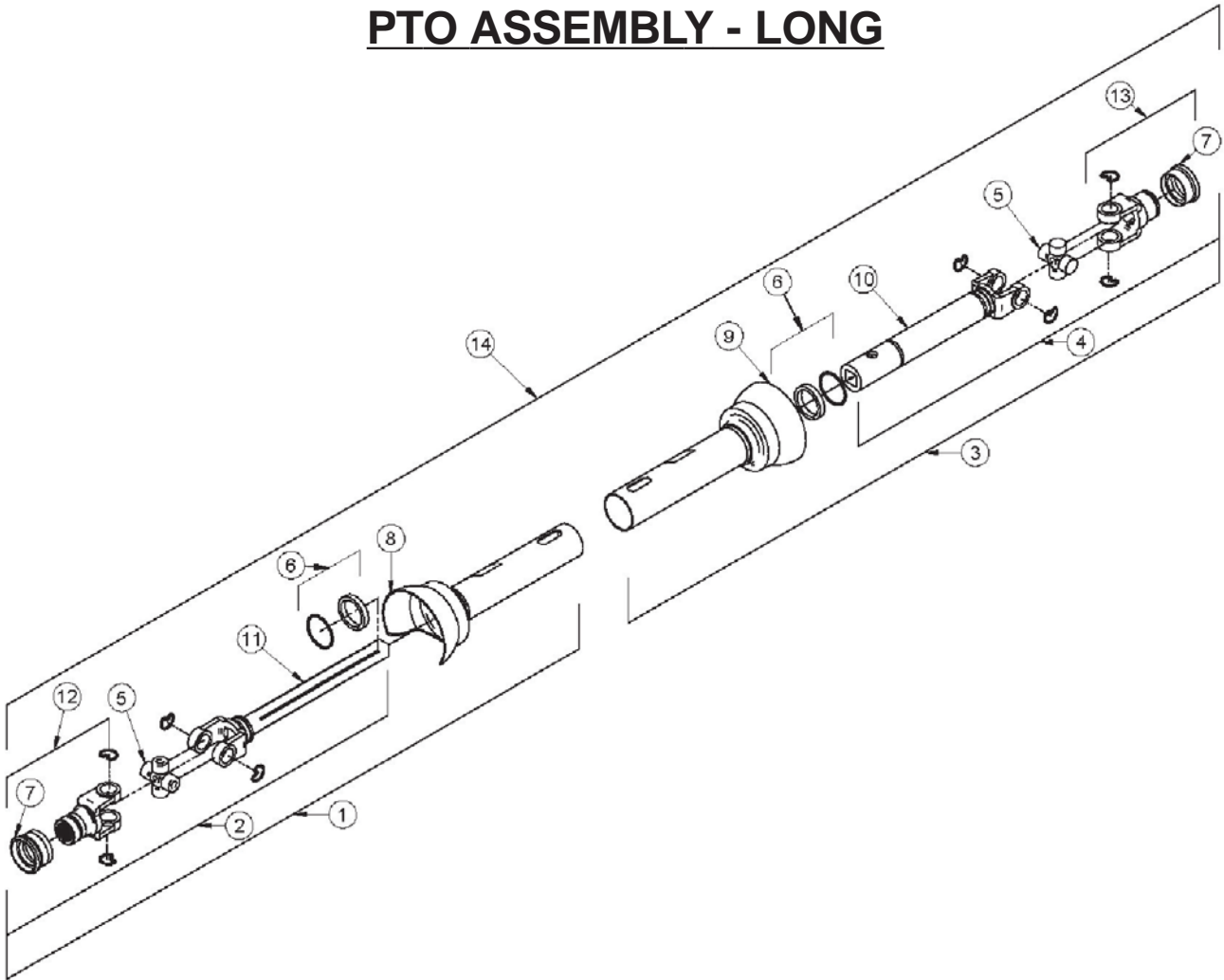


ITEM	QTY		PART #		DESCRIPTION
	30'	35'	1-3/8 21 SPLINE	OPT. 1-3/4 20 SPLINE	
1	1	"	55862	8581	YOKE & SHAFT HALF ASSEMBLY W/ GUARD
2	1	"	55863	8582	YOKE & SHAFT HALF ASSEMBLY
3	1	"	55859	"	YOKE & TUBE HALF ASSEMBLY W/ GUARD
4	1	"	8580	"	YOKE & TUBE HALF ASSEMBLY
5	2	"	55858	"	CROSS & BEARING KIT (14E)
6	2	"	55861	"	GUARD REPAIR KIT
7	2	"	S225	"	SPRING LOCK REPAIR KIT
8	1	"	55864	"	OUTER GUARD
9	1	"	23N156	"	INNER GUARD
10	1	"	23N155	"	YOKE, TUBE AND SLIP SLEEVE
11	1	"	23N159	"	YOKE & SHAFT
12	1	"	37N73	55860	SPRING LOCK & YOKE ASSEMBLY
13	1	"	23N162	"	SPRING LOCK & YOKE ASSEMBLY
14	1	"	TFM98	TFM100	PTO (COMPLETE)

NOTE: " MEANS SAME AS PREVIOUS MODEL

FIGURE 28

PTO ASSEMBLY - LONG

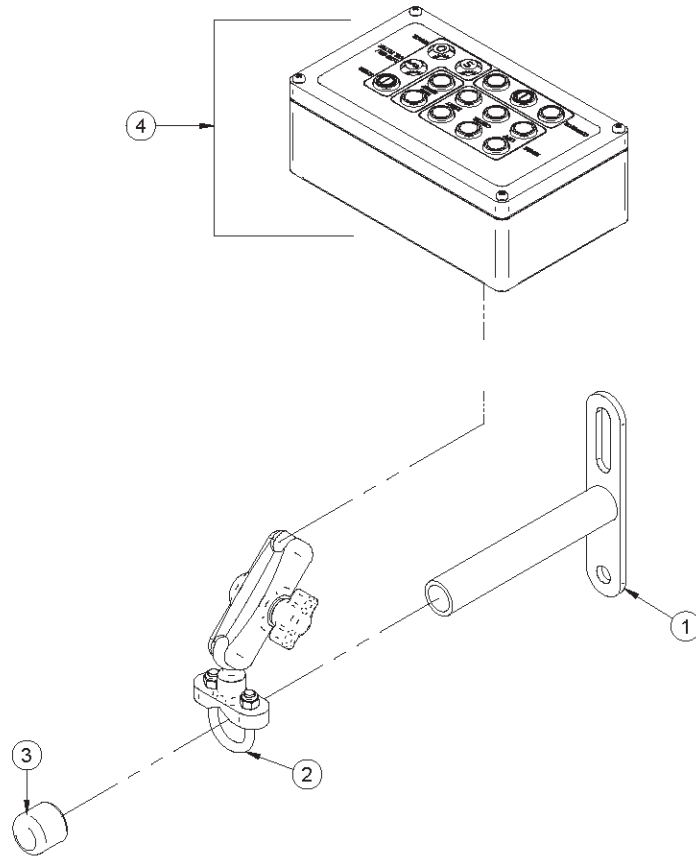


ITEM	QTY		PART #		DESCRIPTION
	30'	35'	1-3/8 21 SPLINE	OPT. 1-3/4 20 SPLINE	
1	1	"	60097	60096	YOKE & SHAFT HALF ASSEMBLY W/ GUARD
2	1	"	60099	60098	YOKE & SHAFT HALF ASSEMBLY YOKE & TUBE HALF ASSEMBLY W/ GUARD
3	1	"	55859		YOKE & TUBE HALF ASSEMBLY
4	1	"	8580	"	CROSS & BEARING KIT (14E)
5	2	"	55858	"	NYLON REPAIR KIT
6	2	"	16SV181	"	SPRING LOCK REPAIR KIT
7	2	"	S225	"	OUTER GUARD
8	1	"	60100	"	INNER GUARD
9	1	"	23N156	"	YOKE, TUBE AND SLIP SLEEVE
10	1	"	23N155	"	YOKE & SHAFT
11	1	"	60095	"	SPRING LOCK & YOKE ASSEMBLY
12	1	"	37N73	55860	SPRING LOCK & YOKE ASSEMBLY
13	1	"	23N162	"	PTO (COMPLETE)
14	1	"	56338	56337	

NOTE: " MEANS SAME AS PREVIOUS MODEL

FIGURE 29

CONTROL BOX



<u>ITEM</u>	<u>QTY</u>		<u>PART #</u>	<u>DESCRIPTION</u>
	<u>30'</u>	<u>35'</u>		
1	1	"	PTMWE66	CONTROL BOX BRACKET ASSY
2	1	"	TFM105	SWIVEL MOUNT ASSY
3	1	"	TFM104	PLUG
4	1	"	TFM102	CONTROL BOX (COMPLETE)

NOTE: " MEANS SAME AS PREVIOUS MODEL

FIGURE 30 (Part 1 of 2)

FRONT WIRING HARNESS P/N: PTM1

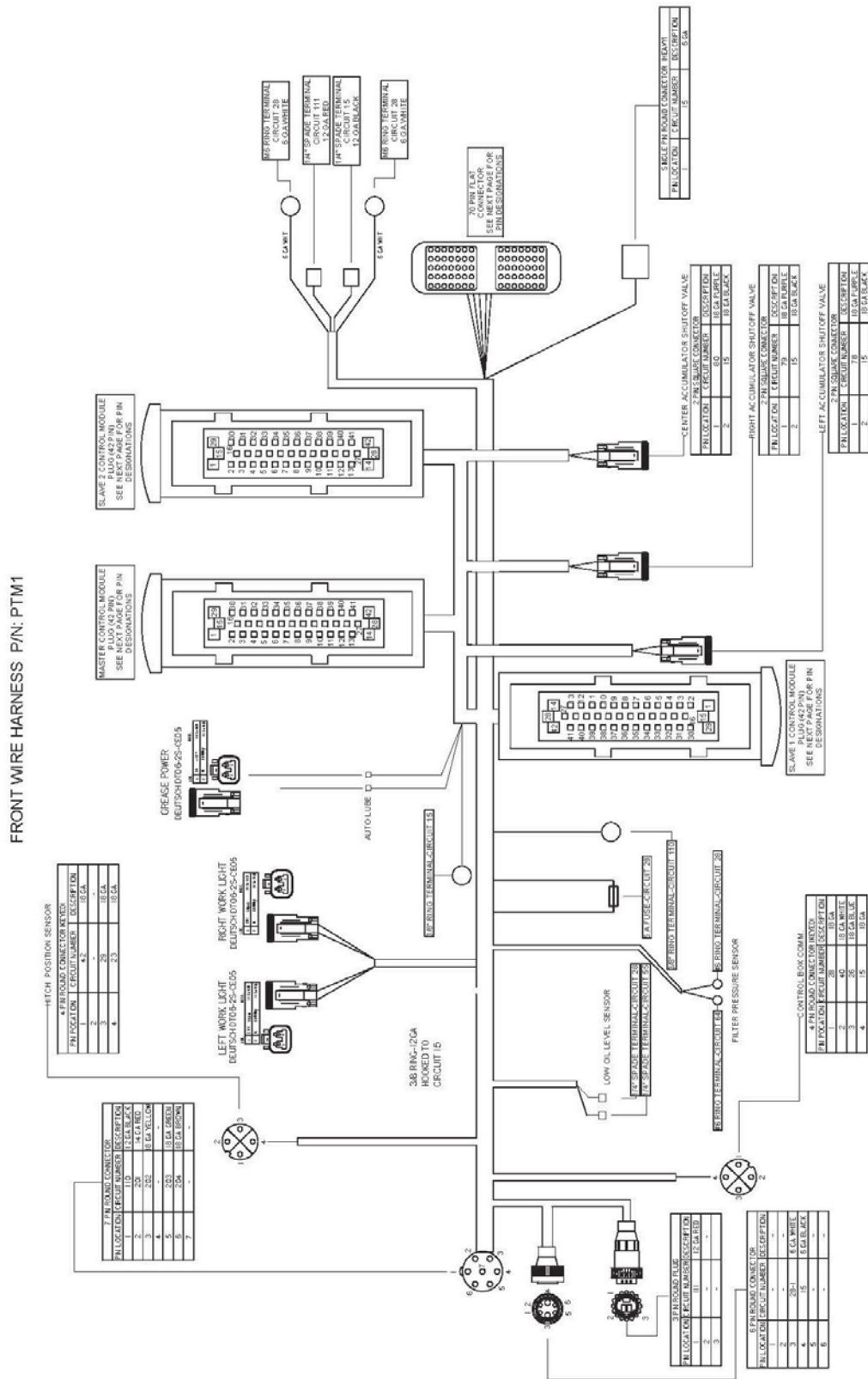


FIGURE 30 (Part 2 of 2)

FRONT WIRING HARNESS PIN DESIGNATION

PTM1 CONNECTOR PIN DESIGNATIONS

MASTER CONTROL MODULE PLUG 142 PIN			SLAVE 1 MODULE PLUG 142 PIN			SLAVE 2 MODULE PLUG 142 PIN			70 PIN FLAT CONNECTOR		
PIN LOCATION	CIRCUIT NUMBER	DESC.	PIN LOCATION	CIRCUIT NUMBER	DESC.	PIN LOCATION	CIRCUIT NUMBER	DESC.	PIN LOCATION	CIRCUIT NUMBER	DESCRIPTION
2	2	18 GA BLUE	2	43	ADDRESS	1	76	ADDRESS TERM.	1	28	18 GA
3	3	18 GA BLUE	3	44	18 GA BLUE	2	77	18 GA PURPLE	2	21	18 GA
4	4	18 GA BLUE	4	45	18 GA BLUE	3	78	18 GA PURPLE	3	50	18 GA
5	5	18 GA BLUE	5	46	18 GA BLUE	4	79	18 GA PURPLE	4	51	18 GA
6	6	18 GA PURPLE	6	48	18 GA BLUE	5	80	18 GA PURPLE	5	4	18 GA
7	7	18 GA PURPLE	7	49	18 GA BLUE	6	81	18 GA PURPLE	6	18	18 GA
8	8	18 GA BLUE	8	50	18 GA BLUE	7	82	18 GA GREEN	7	46	18 GA
9	9	18 GA BLUE	9	51	18 GA BLUE	8	83	18 GA GREEN	8	42	18 GA
10	10	18 GA BLUE	10	52	18 GA PURPLE	9	84	18 GA YELLOW	9	35	18 GA
11	11	18 GA BLUE	11	53	18 GA PURPLE	10	85	18 GA YELLOW	10	72	18 GA
12	12	DATA + GREEN	12	54	18 GA PURPLE	11	86	18 GA YELLOW	11	73	18 GA
13	13	DATA - RED	13	55	18 GA PURPLE	12	87	18 GA YELLOW	12	65	18 GA
14	14	14 GA BLACK	14	56	ADDRESS	13	88	ADDRESS TERM.	13	10	18 GA
15	15	14 GA BLACK	15	57	14 GA BLACK	14	89	ADDRESS TERM.	14	11	18 GA
16	16	18 GA BROWN	16	58	18 GA PURPLE	15	90	14 GA BLACK	15	3	18 GA
17	17	18 GA BROWN	17	59	18 GA PURPLE	16	91	18 GA PURPLE	16	17	18 GA
18	18	18 GA BROWN	18	60	18 GA PURPLE	17	92	18 GA PURPLE	17	45	18 GA
19	19	18 GA BROWN	19	61	18 GA PURPLE	18	93	18 GA PURPLE	18	22	18 GA
20	20	18 GA PURPLE	20	62	18 GA PURPLE	19	94	18 GA PURPLE	19	75	18 GA
21	21	18 GA PURPLE	21	63	18 GA PURPLE	20	95	18 GA PURPLE	20	36	18 GA
22	22	18 GA PURPLE	22	64	18 GA PURPLE	21	96	18 GA PURPLE	21	83	18 GA
23	23	18 GA PURPLE	23	65	18 GA PURPLE	22	97	18 GA PURPLE	22	84	18 GA
24	24	18 GA PURPLE	24	66	18 GA PURPLE	23	98	18 GA PURPLE	23	34	18 GA
25	25	18 GA PURPLE	25	67	18 GA PURPLE	24	99	18 GA PURPLE	24	105	18 GA
26	26	18 GA PURPLE	26	68	18 GA PURPLE	25	100	18 GA PURPLE	25	106	18 GA
27	27	18 GA PURPLE	27	69	18 GA PURPLE	26	101	18 GA PURPLE	26	107	18 GA
28	28	14 GA RED	28	70	18 GA PURPLE	27	102	18 GA PURPLE	27	96	18 GA
29	29	14 GA RED	29	71	18 GA PURPLE	28	103	18 GA PURPLE	28	36	18 GA
30	30	14 GA RED	30	72	18 GA PURPLE	29	104	18 GA PURPLE	29	49	18 GA
31	31	14 GA RED	31	73	18 GA PURPLE	30	105	18 GA PURPLE	30	203	18 GA
32	32	18 GA BROWN	32	74	18 GA PURPLE	31	106	18 GA PURPLE	31	202	18 GA
33	33	18 GA BROWN	33	75	18 GA PURPLE	32	107	18 GA PURPLE	32	204	18 GA
34	34	18 GA PURPLE	34	76	18 GA PURPLE	33	108	18 GA PURPLE	33	19	18 GA
35	35	18 GA PURPLE	35	77	18 GA PURPLE	34	109	18 GA PURPLE	34	33	18 GA
36	36	18 GA PURPLE	36	78	18 GA PURPLE	35	110	18 GA PURPLE	35	34	18 GA
37	37	18 GA PURPLE	37	79	18 GA PURPLE	36	111	18 GA PURPLE	36	35	18 GA
38	38	18 GA PURPLE	38	80	18 GA PURPLE	37	112	18 GA PURPLE	37	48	18 GA
39	39	18 GA PURPLE	39	81	18 GA PURPLE	38	113	18 GA PURPLE	38	63	18 GA
40	40	18 GA PURPLE	40	82	18 GA PURPLE	39	114	18 GA PURPLE	39	62	18 GA
41	41	18 GA PURPLE	41	83	18 GA PURPLE	40	115	18 GA PURPLE	40	7	18 GA
42	42	14 GA RED/BLACK	42	84	18 GA PURPLE	41	116	18 GA PURPLE	41	44	18 GA
						42	117	18 GA PURPLE	42	2	18 GA
									43	16	18 GA
									44	9	18 GA
									45	8	18 GA
									46	54	18 GA
									47	20	18 GA
									48	5	18 GA
									49	23	18 GA
									50	1	18 GA
									51	1	18 GA
									52	1	18 GA
									53	1	18 GA
									54	1	18 GA
									55	1	18 GA
									56	1	18 GA
									57	1	18 GA
									58	1	18 GA
									59	1	18 GA
									60	1	18 GA
									61	1	18 GA
									62	1	18 GA
									63	1	18 GA
									64	1	18 GA
									65	1	18 GA
									66	1	18 GA
									67	1	18 GA
									68	1	18 GA
									69	1	18 GA
									70	1	18 GA

FIGURE 32

CENTER HEAD HARNESS P/N: 59486

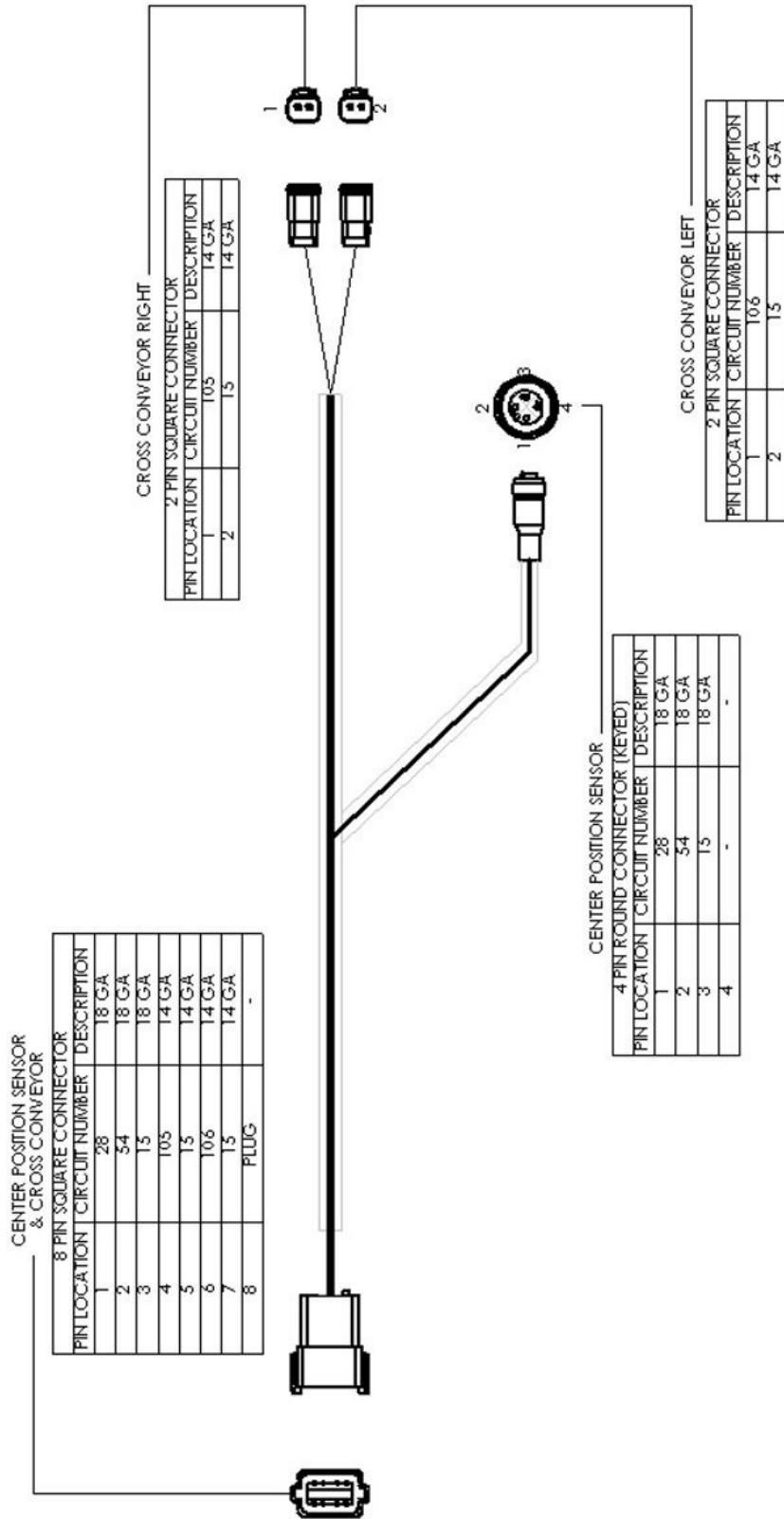


FIGURE 33

WING FOLD HARNESS P/N: 59487

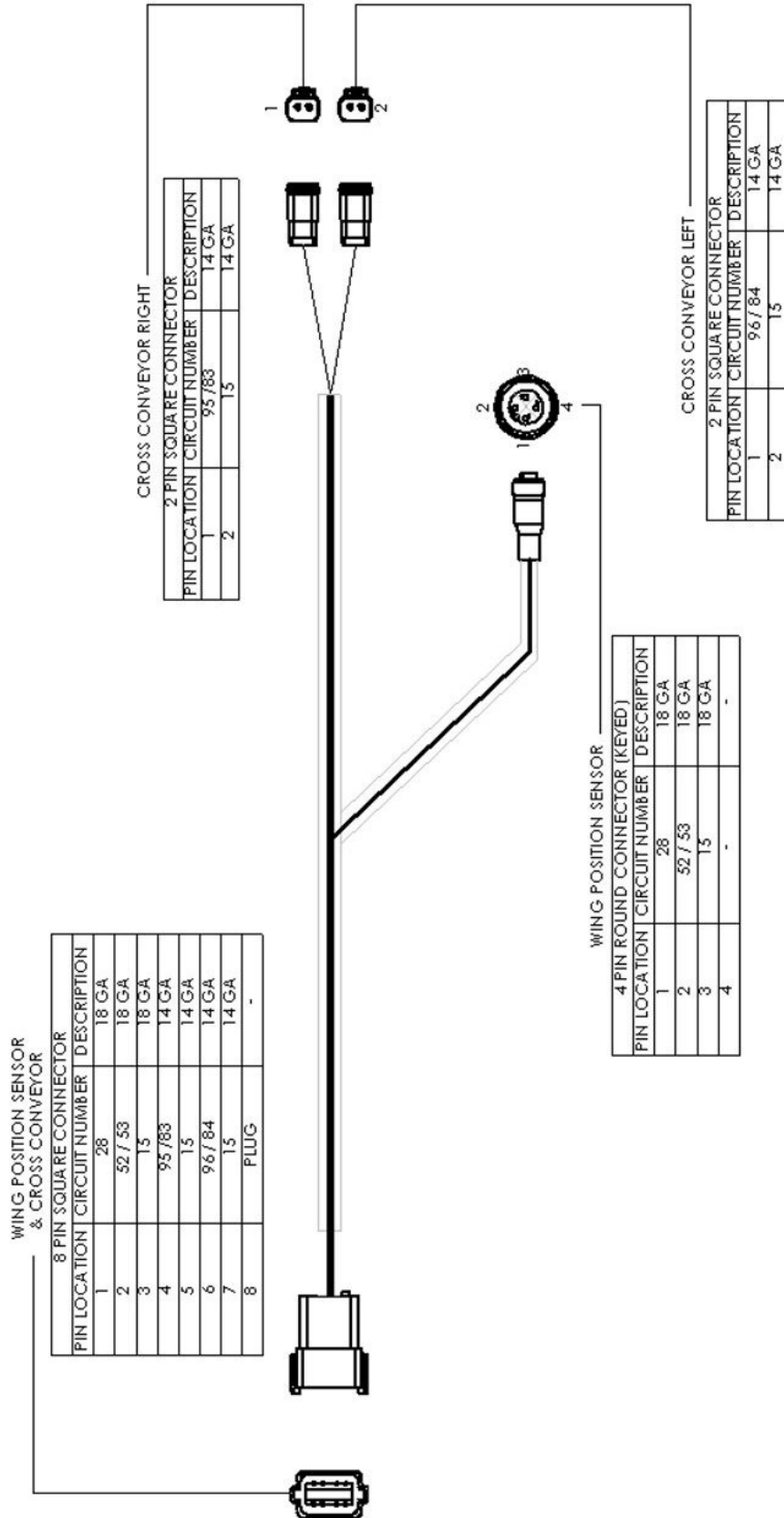


FIGURE 34

VALVE WIRING HARNESS P/N: PTM3

VALVE WIRE HARNESS P/N: PTM3

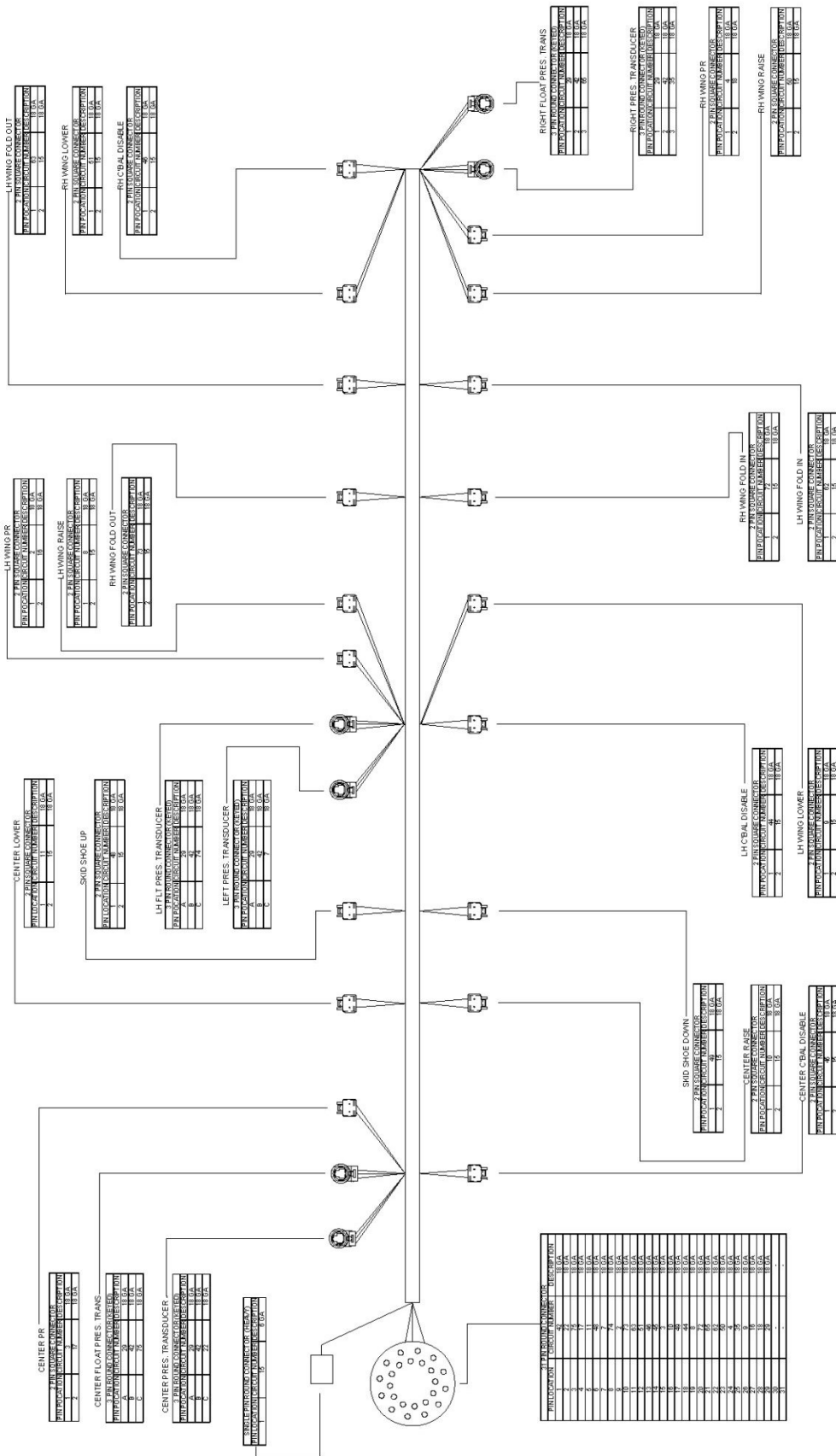


FIGURE 35

RELAY WIRING HARNESS P/N: TFM1

RELAY HARNESS P/N: TFM1

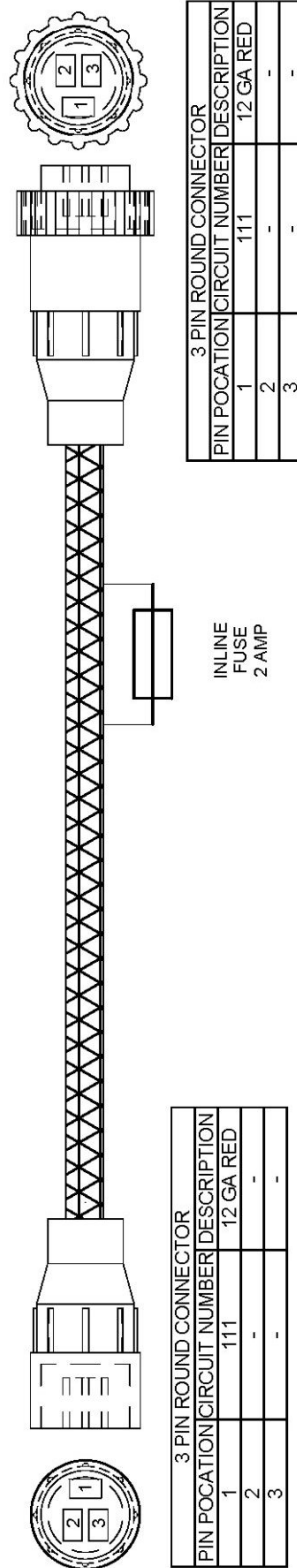
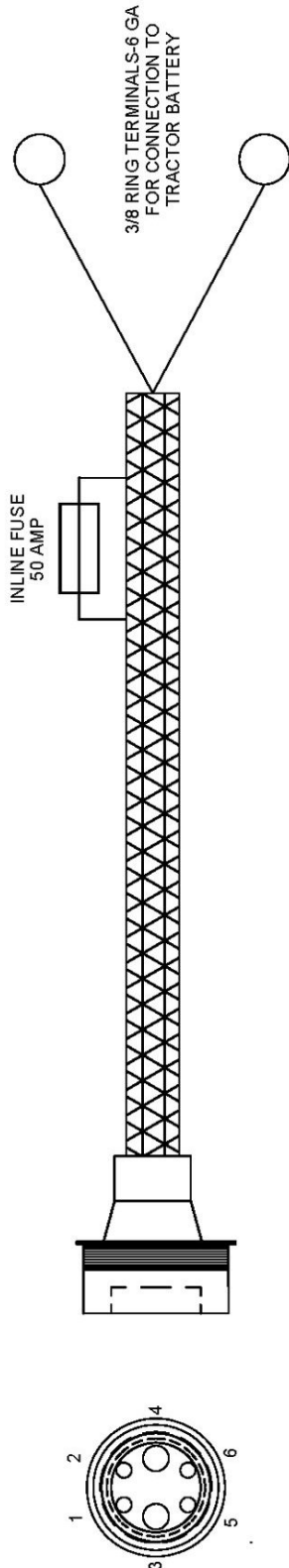


FIGURE 36

POWER SUPPLY WIRING HARNESS P/N: TFM2

POWER SUPPLY HARNESS P/N:TFM2



6 PIN ROUND CONNECTOR		
PIN LOCATION	CIRCUIT NUMBER	DESCRIPTION
1	-	-
2	-	-
3	28-1	6 GA WHITE
4	15	6 GA BLACK
5	-	-
6	-	-

FIGURE 37 HYDRAULIC SCHEMATIC

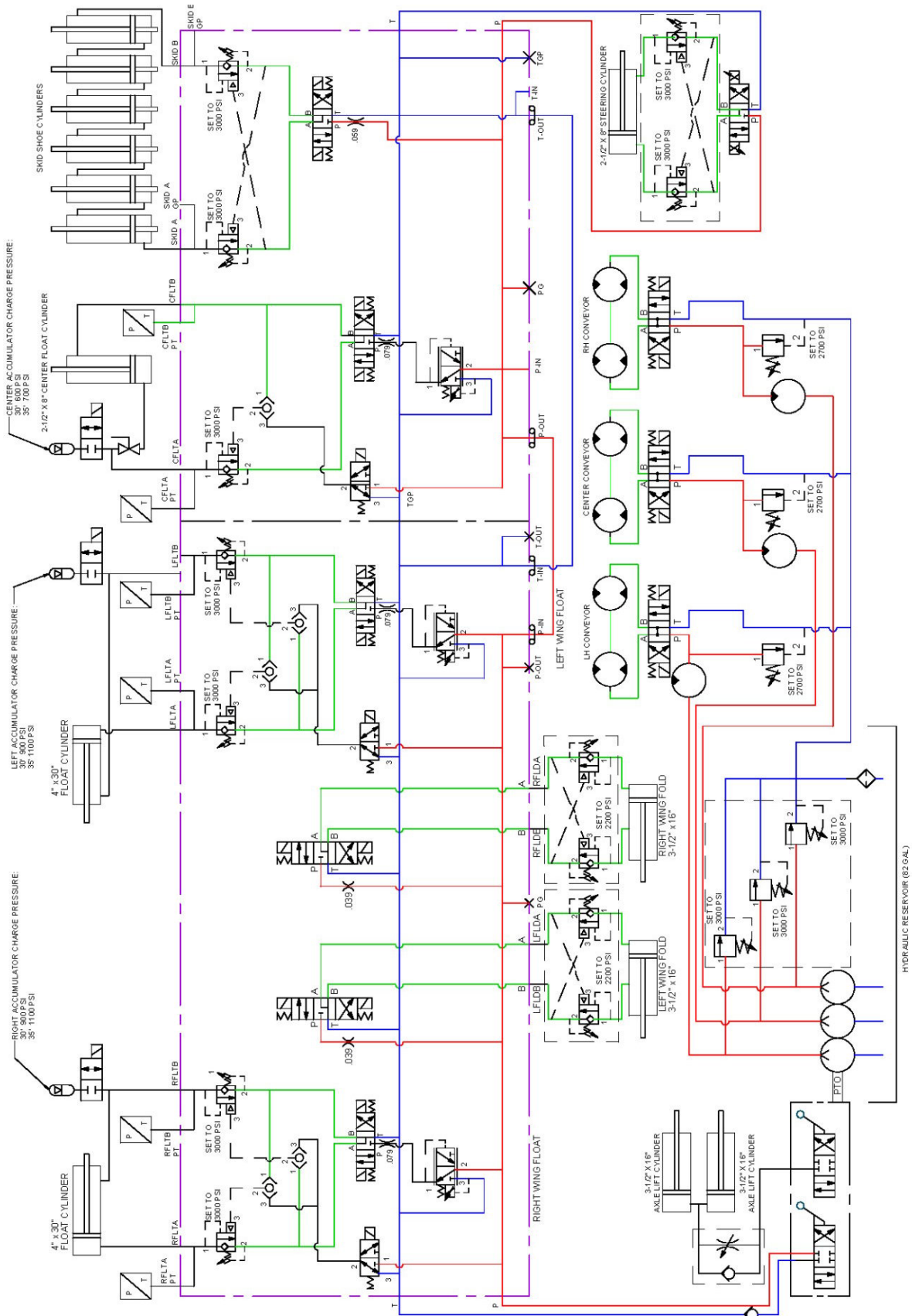
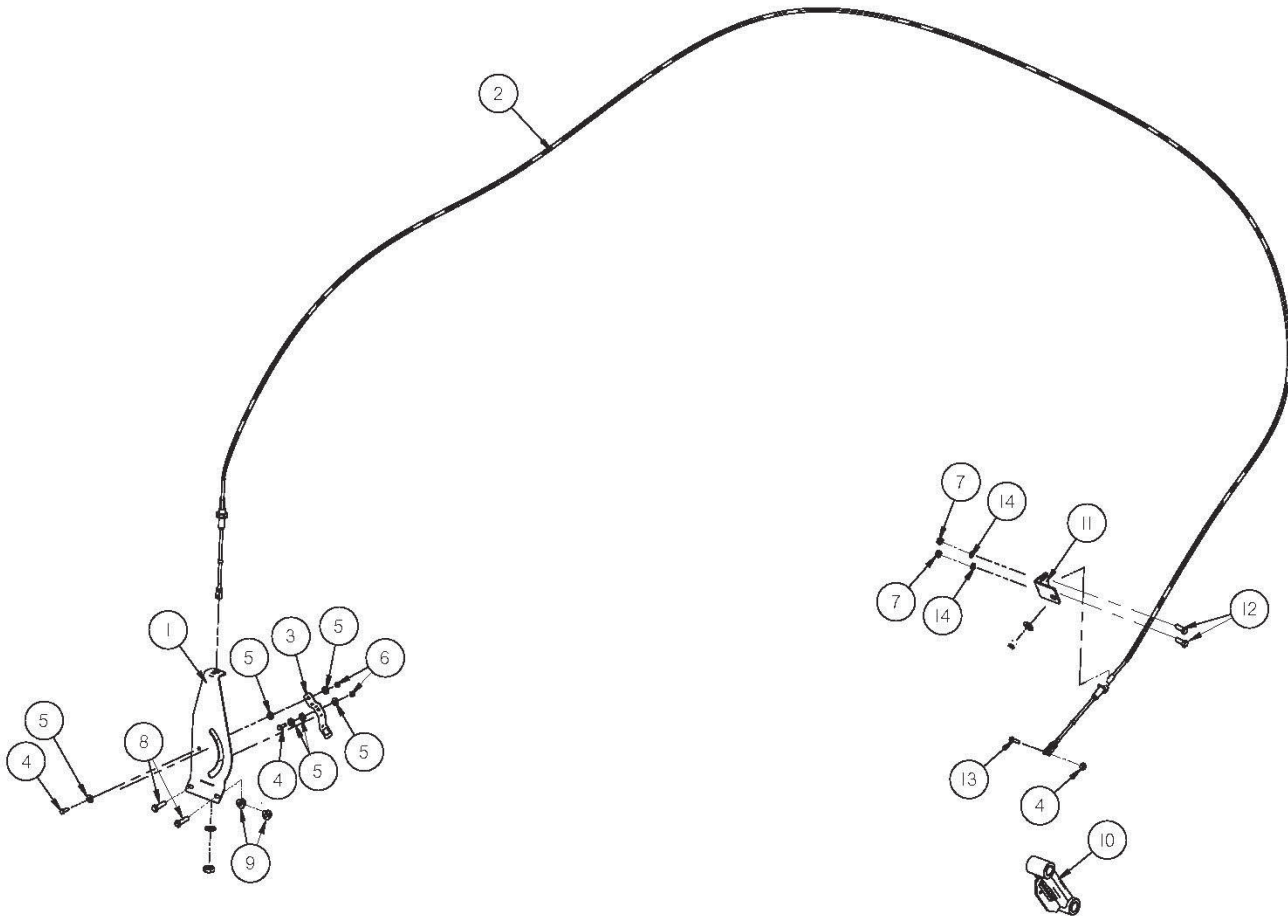


FIGURE 38

HEAD HEIGHT DIAL



ITEM	QTY	PART#	DESCRIPTION
1	1	PTM10G54	PANEL
2	1	PTMAS63	PUSH PULL CABLE BULKHEAD W/CLEVIS
3	1	PTM14G11	DIAL
4	3	YBHH10010	BOLT, 5/16 X 1 GR 5
5	6	YWFL10005	WASHER, FLAT, 5/16 USS
6	2	YNL10005	HEX NUT, TOP LOCK, 5/16-18
7	2	YNHX12005	HEX NUT, 3/8-16
8	2	YBCR10030	CARR. BOLT, 5/16 X 3/4 GR 5
9	2	YNSF10005	5/16-18, SERRATED HEX FLANGE NUT
10	1	61059	SKID LINKASSY
11	1	PTM6G43	BRACKET
12	2	B67	BOLT, 3/8" X 1-1/4", GR. 5
13	1	YNRL10005	HEX NUT, REVERSIBLE-SIDE LOCK, 5/16-18
14	2	YWLO12005	WASHER, LOCK, 3/8
*	1	PTMAS65	COMPLETE ASSEMBLY

H&S MFG. CO.

products approved

for the

FEMA

SEAL OF QUALITY

